

## CONVEX:

<b>TOTEM</b> CONVEX (type P)	28
<b>MIRAGE</b> MONOLITH	29
<b>WIDE</b> MONOLITH	30
<b>VELA</b> MONOLITH	31
<b>WIDE</b> SINGLE POST	32
<b>VELA</b> SINGLE POST	33

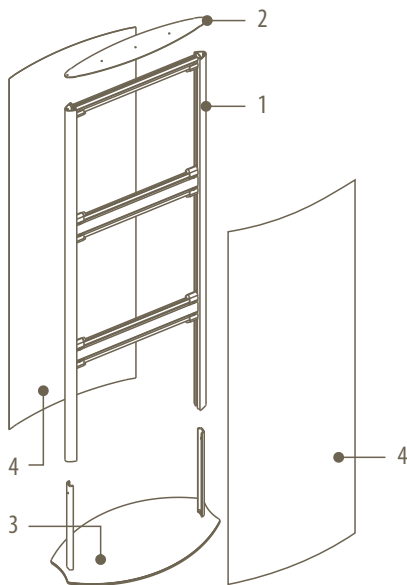
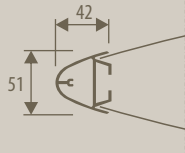
## FLAT:

<b>TOTEM</b> FLAT (type S)	34
<b>AQUA</b> and <b>ELIX</b> SINGLE POST	36
<b>AQUA</b> MONOLITH and ON POSTS	37
<b>GLASS-INOX</b> MONOLITH	38
<b>SELF-STANDING SUPPORTS</b>	39

# TOTEM CONVEX

self-standing - for indoor

Version with:

ALUMINIUM panelling  
for permanent graphicType  
**P**

## MATERIALS AND COLOURS

- 1\_ uprights  
in powder coated aluminium
- 2\_ top cap  
in Dibond (aluminium composite sheets)  
silver color
- 3\_ self-standing shaped base  
in zinc steel and covered  
above with aluminium
- 4\_ aluminium panelling

## DIMENSIONS AND CODES

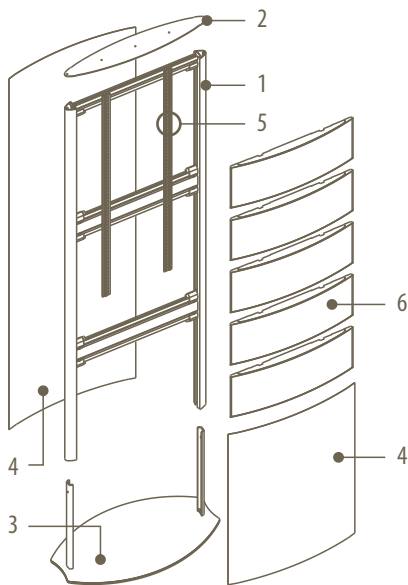
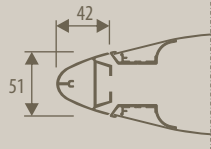


H	code	
2500	TM4.P60250	
2100	TM4.P45210	TM4.P60210
1800	TM4.P45180	TM4.P60180
1600	TM4.P45160	
	L 538	688
base:	PI3.560	PI3.720



Version with:

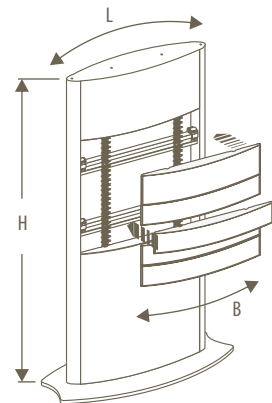
**INTERCHANGEABLE MODULES** Mirage with ALUMINIUM panelling for permanent graphic



## MATERIALS AND COLORS

- 1\_ uprights in powder coated aluminium
- 2\_ top cap in Dibond silver color
- 3\_ self-standing shaped base in zinc steel, and covered above with aluminium
- 4\_ aluminium panelling
- 5\_ aluminium back guide with nylon couplings
- 6\_ Mirage modules composed by:
  - profils in anodized or painted coated aluminium
  - aluminium panelling 7/10
  - end caps in polycarbonate + abs with steel pins
    - silver RAL 9006
    - ash grey 007
    - black 085

## DIMENSIONS AND CODES



H	code	
2100	MR4.ML45210	MR4.ML60210
1800	MR4.ML45180	MR4.ML60180
1600	MR4.ML45160	
L	538	688
B	450	600
base:	PI3.560	PI3.720

Starting from the standard model, monolith can be customized by operating on panelling adding Mirage modules. For the available measures of modules see Mirage one sided wall plates in the section «convexes lines».



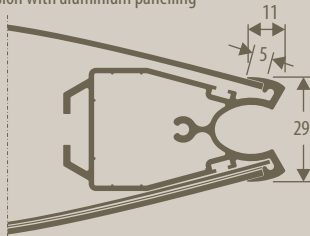
# WIDE CONVEX MONOLITH

self-standing - for indoor

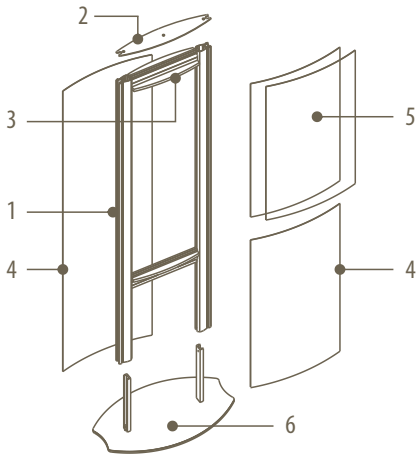
Version with:

- ALUMINIUM panelling for permanent graphic
- graphic on PAPER + front opening

version with aluminium panelling



version with paper



## MATERIALS AND COLOURS

- 1\_ profil in anodized or powder coated aluminium
- 2\_ end caps in anodized aluminium
- 3\_ ribs in PVC structural foam (Forex)
- 4\_ aluminium panelling
- 5\_ insert for graphic on paper composed by:
  - front protection in transparent polyester reflection-free (PETG) th. 1,5 mm
  - aluminium 7/10 background panel
- 6\_ self-standing shaped base in zinc steel and covered above with aluminium

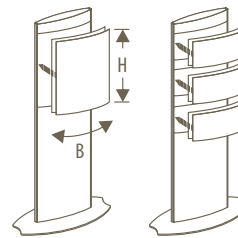
## DIMENSIONS AND CODES



H	code	MONOLITH
2100	WD4.ML42210	WD4.ML60210
1800	WD4.ML42180	WD4.ML60180
1600	WD4.ML42160	WD4.ML60160
1400	WD4.ML42140	
B	420	594
base:	PI3.560	PI3.720

Dimensions refer to panelling dimensions.

Starting from the standard model monolith can be customized by operating on panelling adding one or more inserts for graphic on paper.



H	INSERT for graphic on paper	
840	<input type="checkbox"/> A1	WD4.6090T
594	<input type="checkbox"/> A2	WD4.6060T
	<input type="checkbox"/> A2	WD4.6042T
420	<input type="checkbox"/> A2	WD4.6042T
297	<input type="checkbox"/> A3	WD4.4230T
B	420	594

Dimensions refer to paper dimensions.

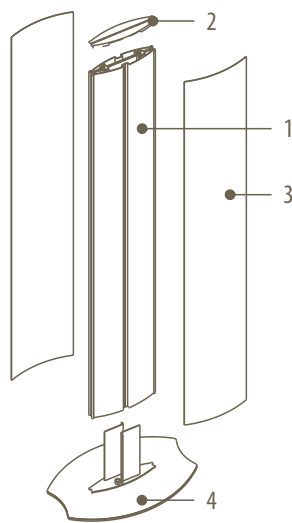
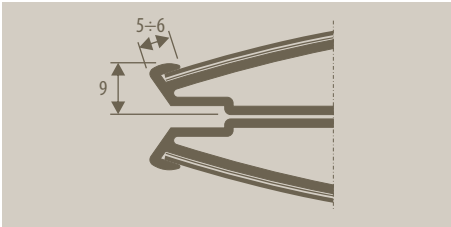
## REPLACEMENT OF GRAPHIC ON PAPER

Through the proper suction pad the front protection and the paper support can be removed.



Version with:

- graphic on **PAPER** + front protection
- panelling in covered **PETG** for permanent graphic



## MATERIALS AND COLOURS

1\_ **profil**  
in anodized or powder coated aluminium

2\_ **end caps**  
in polycarbonate + abs  
- silver RAL 9006  
- ash grey 007  
- black 085

3\_a **front protection**  
(only for version with paper)  
in transparent polyester  
reflection-free (PETG) th. 1 mm

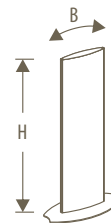
3\_b **panelling in PETG**  
covered with digital print  
(only for version with permanent graphic)  
in transparent polyester  
reflection-free (PETG) th. 1 mm

4\_ **self-standing shaped base**  
in zinced steel and covered above  
with aluminium

## DIMENSIONS AND CODE

**Complete the code adding the suffix:**

- **PX** graphic on paper + front protection
- **GP** panelling in PETG covered with digital print



H	code
1400	VL4.ML21140
B	210
base:	PI3.320

Dimensions refers to paper or panelling dimensions

## REPLACEMENT OF GRAPHIC ON PAPER OR PANELLING

Through the proper suction pad the panelling, the front protection and the paper support can be removed.



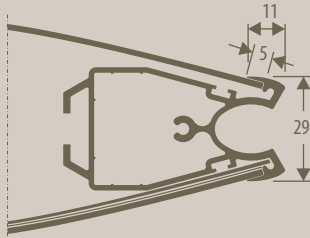
# WIDE CONVEX SINGLE POST

self-standing - for indoor

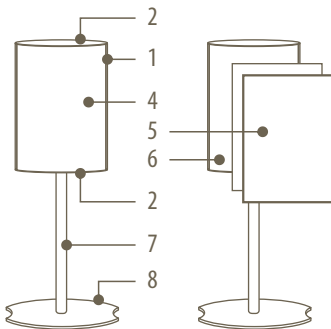
Version with:

- panelling in **ALUMINIUM** for permanent graphic
- graphic on **PAPER** + front protection

version with aluminium panelling



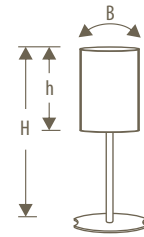
version with paper



## MATERIALS AND COLOURS

- 1\_ profilis in anodized and powder coated aluminium
- 2\_ end caps in anodized aluminium
- 3\_ ribs (not in sight) in PVC structural foam (Forex)
- 4\_ aluminium panelling
- 5\_ front protection (only for version with paper) in transparent polyester reflection-free (PETG) th. 1,5 mm
- 6\_ aluminium 7/10 background panel (only for version with paper)
- 7\_ upright 80 x 80 mm in anodized or powder coated aluminium
- 8\_ self-standing shaped base in zinc-coated steel and covered above with aluminium

## DIMENSIONS AND CODES



H	h	code	
2000	1188	<input type="checkbox"/> A0	WD4.M90120
1800	840	<input type="checkbox"/> A1	WD4.M6090
1700	594	<input type="checkbox"/>	WD4.M6060
		B	594      840
		base:	PI3.560      PI3.720

Dimensions refers to paper or panelling dimensions

version with paper NOT available

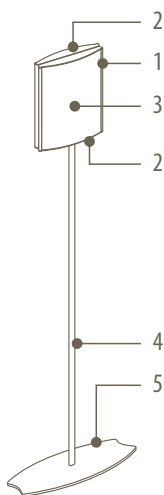
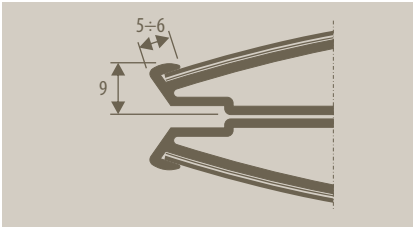
## REPLACEMENT OF GRAPHIC ON PAPER

Through the proper suction pad the front protection and the paper support can be removed.



Version with:

- graphic on **PAPER** + front protection
- panelling in **PETG** or in **ALUMINIUM** for permanent graphic



## MATERIALS AND COLOURS

1\_ profiles  
in anodized or powder coated aluminium

2\_ end caps  
in polycarbonate + abs  
- silver RAL 9006  
- ash grey 007  
- black 085

3\_a front protection  
(only for version with paper)  
in transparent polyester  
reflection-free (PETG) th. 1 mm

3\_b panelling in PETG  
covered with digital print  
(only for version with permanent graphic)  
in transparent polyester  
reflection-free (PETG) th. 1 mm  
(Support more flexible than aluminium and so  
easier to replace.)

3\_c aluminium 5/10 panelling  
covered with digital print  
on transparent vinyl  
(only for version with permanent graphic)  
- silver RAL 9006  
It is suggested to choose this solution  
when we would like to see the aluminium  
background.

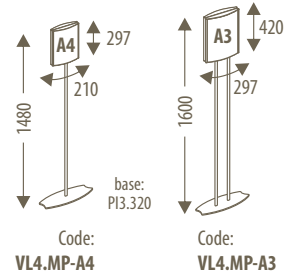
4\_ upright 36 x 30 mm in anodized or  
powder coated aluminium

5\_ self-standing shaped base in zincated steel and covered  
above with aluminium

## DIMENSIONS AND CODES

Complete the code adding the suffix:

- **PX** graphic on paper + front protection
- **GP** panelling in PETG covered with digital print
- **AL** aluminium panelling covered  
with digital print on transparent vinyl



## REPLACEMENT OF GRAPHIC ON PAPER OR PANELLING

Through the proper junction pad the panelling,  
the front protection and the paper support can be removed.



# TOTEM FLAT

self-standing - for indoor

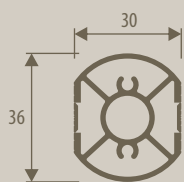






# AQUA ed ELIX FLAT SINGLE POST

self-standing - for indoor



upright 36



## MATERIALS AND COLOURS

1\_ upright 36  
in anodized aluminium  
with endcaps in satinized acrylic

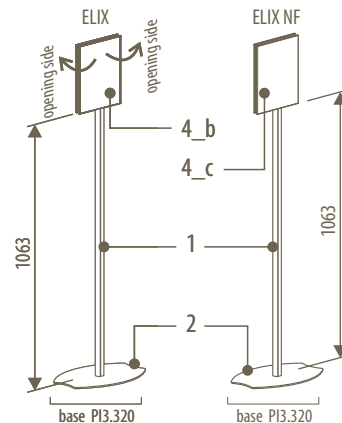
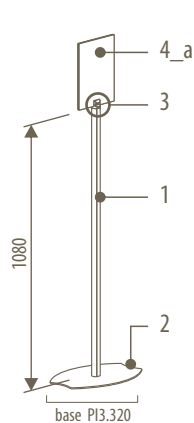
2\_ self-standing shaped base  
in zinc steel and covered  
above with aluminium

3\_ clamps  
in polished aluminium

4\_a Aqua plate  
composed by a panel th. 4+4 mm  
in transparent plexiglas

4\_b Elix plate  
(for details see page 50)  
available with two different panelling:  
- in Dibond th. 2 mm  
- front protection (only for version with paper)  
in transparent polyester reflection-free (PETG) th. 2 mm

4\_c Elix NF plate  
(for details see page 54)  
with panelling in Dibond th. 2 mm



Available one or two sided

plate size	single post AQ	single post ELIX
A3 vertical		EL4.MP-A3
A4 vertical	AQ4.MP-A4	EL4.MP-A4
A5 vertical	AQ4.MP-A5	

## TAMPER-PROOF SYSTEM and REPLACEMENT OF THE GRAPHIC

The plate is fixed to the self-standing support through a clamp. To take off it from the support it is necessary to act behind on the screw of the clamp.  
After the two plexi panels can be separated and the paper can be removed.

## Complete the code adding the suffix:

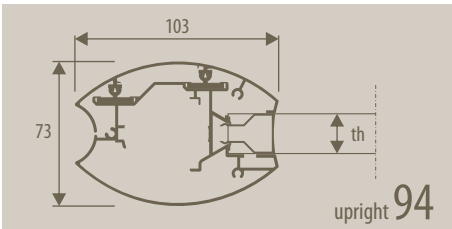
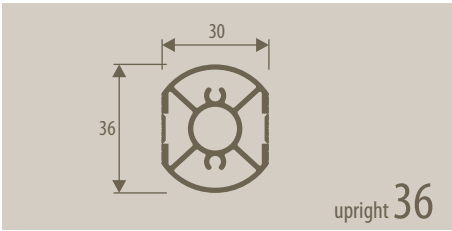
- **PX** Elix plate with graphic on paper + front protection
- **DB** Elix plate with panelling in dibond
- **NF** Elix NF plate with panelling in dibond

To have the tamper-proof system (available only for Elix) add also to the code:

+ **SAM** tamper-proof system needed

## TAMPER-PROOF SYSTEM and REPLACEMENT OF THE GRAPHIC

- See:
- at page 53 Elix plates
  - at page 54 Elix NF plates



### MATERIALS AND COLOURS

1\_a upright 36  
in anodized aluminium  
with endcaps in satinized acrylic

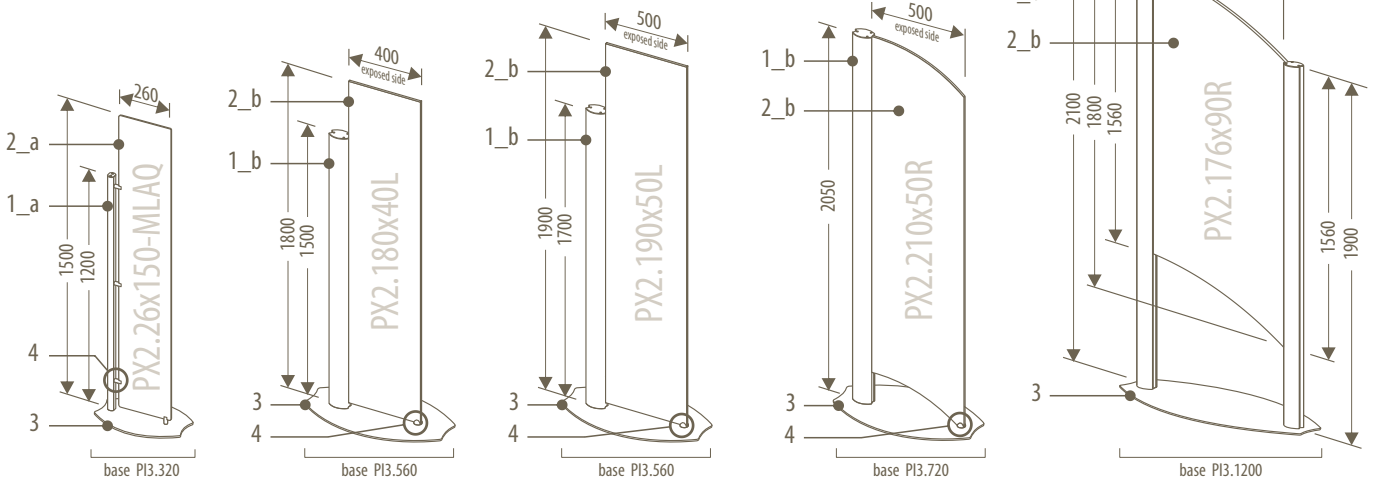
1\_b upright 94  
in anodized aluminium  
with endcaps in satinized acrylic

2\_a panelling th. 6 mm  
in transparent plexiglas

2\_b panelling th. 15 mm  
in transparent plexiglas

3\_ self-standing shaped base  
in zincd steel and covered  
above with aluminium

4\_ clamps  
with anodized aluminium finishing



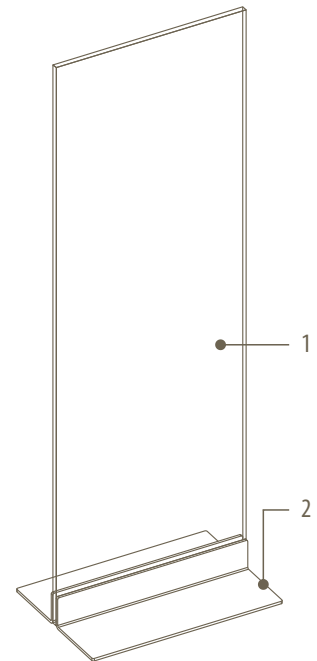
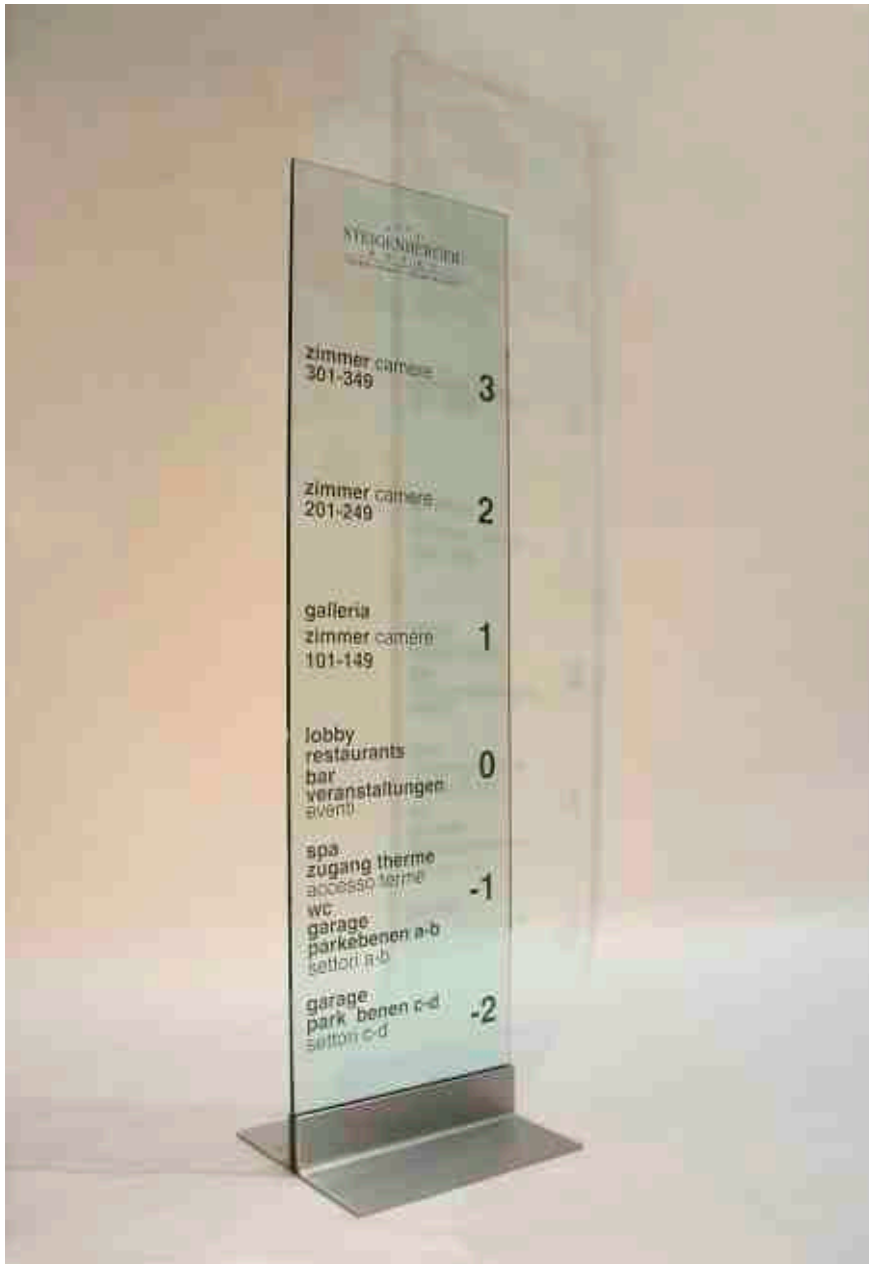
monolith				pole
code:	AQ4.ML-26150	AQ4.D40180	AQ4.D50190	AQ4.D50210
				AQ4.D90180



# VETRO - INOX MONOLITH

38

self-standing - for indoor

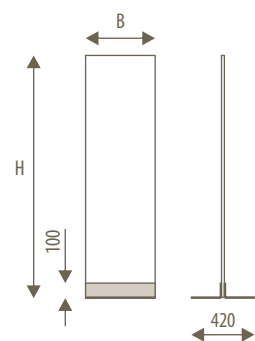


## MATERIALS AND COLOURS

1\_ panelling  
in transparent glass th. 15 mm  
ground and hardened

2\_ self-standing base  
in satinized inox steel

## DIMENSIONS AND CODES



H	code	
2000		VT4.75200
1800		VT4.58180
1600	VT4.46160	
	B	460 580 750

Dimensions refer to  
panelling dimensions



## MATERIALS AND COLOURS

1\_a upright 36  
in anodized or powder coated aluminium  
with endcaps in satinized acrylic

1\_b upright  
in anodized or powder coated aluminium  
with endcaps in black nylon

2\_ see Microforo displaystand  
(for details see page 78)

3\_a round base Ø 440 mm  
self-standing in powder coated steel  
- texturized anthracite  
- texturized silver

3\_b self-standing shaped base  
in zinc plated steel and covered  
above with aluminium

These supports can sustain one panel or two opposites.  
Where more stability is requested it is available, only for round bases,  
an additional ballasting hidden plate in zinc plated steel.

## DIMENSIONS AND CODES

SUPPORT complete (showcase excluded)

code

	36x30		<b>PI4.200</b>
	36x30		<b>PI4.201</b>
	40x40		<b>PI4.300</b>
	40x40		<b>PI4.301</b>
	70x70		<b>PI4.440</b>
	70x70		<b>PI4.441</b>
	40x40		<b>PI4.442</b>
	40x40		<b>PI4.443</b>
	70x70		<b>PI4.701</b>
	70x70		<b>PI4.900</b>
	70x70		<b>PI4.901</b>
		Displaystands on feet:	
	L max 500	<b>EX4.F2-60180</b>	<b>EX4.F2-60180R</b>
	L max 650	<b>EX4.F2-75180</b>	<b>EX4.F2-75180R</b>



**WIDE** (for outdoor and for indoor):

WALL MOUNTED 42

FLAG SYSTEM and SUSPENDED 43

**MIRAGE** (for indoor):

WALL MOUNTED 44

FLAG SYSTEM and SUSPENDED 45

**VELA** (for indoor):

WALL MOUNTED and TABLE STANDS 46

FLAG SYSTEM and SUSPENDED 47

# CONVEXES lines

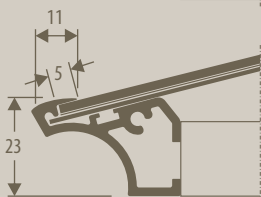
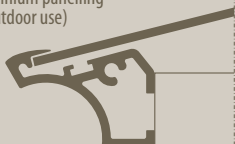
# WIDE WALL MOUNTED

for outdoor and indoor

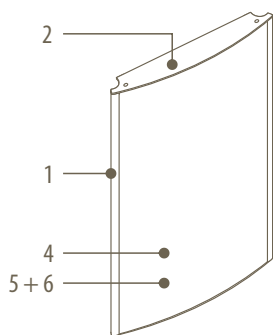
Version with:

- panelling in **ALUMINIUM** for permanent graphic
- graphic on **PAPER** + front protection

version with aluminium panelling (for indoor and outdoor use)



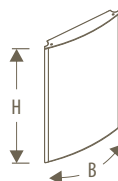
version with paper (only for indoor use)



## MATERIALS AND COLOURS

- 1\_ profiles in anodized and powder coated aluminium
- 2\_ end caps in anodized aluminium
- 3\_ ribs (not in sight) in PVC structural foam (Forex)
- 4\_ aluminium panelling
- 5\_ front protection (only for version on paper) in transparent polyester reflection-free (PETG) th. 1,5 mm
- 6\_ background (only for version on paper) in aluminium 7/10

## DIMENSIONS AND CODES



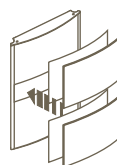
Complete the code adding the suffix:

- **AL** aluminium panelling
- **PX** graphic on paper + front protection
- version with paper NOT available

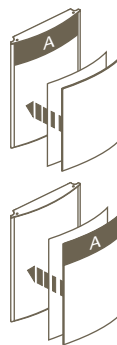
H	code					WALL MOUNTED PLATES		
1500	WD4.42150	WD4.60150	WD4.90150	<input type="checkbox"/> A0	<input type="checkbox"/>			
1188	WD4.42120	WD4.60120	WD4.90120	WD4.120120	<input type="checkbox"/>	<input type="checkbox"/> A0		
840	WD4.3090	WD4.4290	WD4.6090	WD4.9090	WD4.12090	<input type="checkbox"/> A1	<input type="checkbox"/>	
594	WD4.3060	WD4.4260	WD4.6060	WD4.9060	WD4.12060	<input type="checkbox"/> A2	<input type="checkbox"/>	
420	WD4.3042	WD4.4242	WD4.6042	WD4.9042		<input type="checkbox"/> A3	<input type="checkbox"/>	
297	WD4.3030	WD4.4230	WD4.6030	WD4.9030		<input type="checkbox"/> A4	<input type="checkbox"/>	
	B 297		420		594		840 1188	

Dimensions refer to paper or panelling dimensions

On demand it is possible to have panels with H dimension personalized (max 2100 mm)



- Starting from the standard model it is possible to personalize the panel acting on the panelling:
- dividing it in bands
  - putting on an header in aluminium
  - putting on an header in vinyl on the front protection



H	INSERT for graphic on paper			
840	<input type="checkbox"/> A1	WD4.6090T		
594	<input type="checkbox"/> A2	WD4.4260T	WD4.6060T	
420	<input type="checkbox"/> A3	WD4.3042T	WD4.4242T	
297	<input type="checkbox"/> A3	WD4.3030T	WD4.4230T	
210	<input type="checkbox"/> A4	WD4.3021T		
	B 297		420 594	

Dimensions refer to paper dimensions.



## REPLACEMENT OF GRAPHIC ON PAPER

Through the proper suction pad the front protection and the paper can be removed.

## INSTALLATION

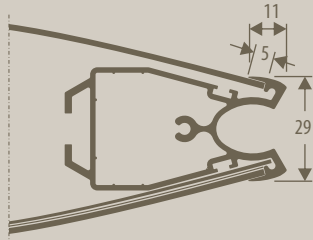
To be fixed to the wall with expansion bolts.



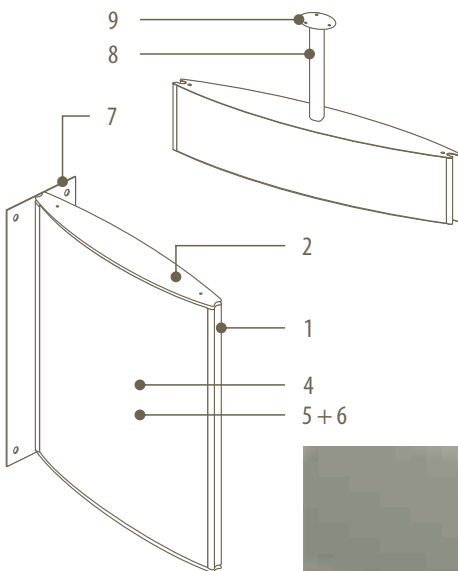
Version with:

- ALUMINIUM** panelling for permanent graphic
- graphic on **PAPER** + front protection

version with aluminium panelling (for indoor and outdoor use)



version with paper (only for indoor)



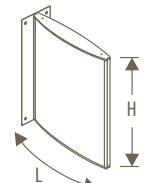
## MATERIALS AND COLOURS

- 1\_ profiles in anodized and powder coated aluminium
- 2\_ end caps in anodized aluminium
- 3\_ ribs (not in sight) in PVC structural foam (Forex)
- 4\_ aluminium panelling
- 5\_ front protection (only for version on paper) in transparent polyester reflection-free (PETG) th. 1,5 mm
- 6\_ backgrounds (only for version on paper) in aluminium 7/10
- 7\_ flag system support in anodized aluminium
- 8\_ upright 40 x 40 mm in powder coated aluminium
- 9\_ base Ø 100 mm in zinc steel

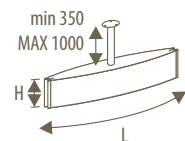
## DIMENSIONS AND CODES

Complete the code adding the suffix:

- **AL** aluminium panelling
- **PX** graphic on paper + front protection



H	code		FLAG SYSTEM
594	<input type="checkbox"/> A2 WD4.B4260	<input type="checkbox"/> WD4.B6060	
420	<input type="checkbox"/> WD4.B4242	<input type="checkbox"/> A2 WD4.B6042	
	B	420	594



H	code			SUSPENDED
594		<input type="checkbox"/> A1 WD4.R9060		
420		WD4.R9042	WD4.R12042	
297	WD4.R6030	WD4.R9030	WD4.R12030	
210	WD4.R6021	WD4.R9021	WD4.R12021	
	B	594	840	1188

Dimensions refer to panelling and paper dimensions.

On demand it is possible to have panels with H dimension personalized (max 2100 mm)

version on paper NOT available



## REPLACEMENT OF GRAPHIC ON PAPER

Through the proper junction pad the front protection and the paper can be removed.

## INSTALLATION

- Flag system plates:  
fix the flag system support to the wall with expansion bolts.
- Suspended plates:  
fix the suspending clamp to the ceiling with expansion bolts.

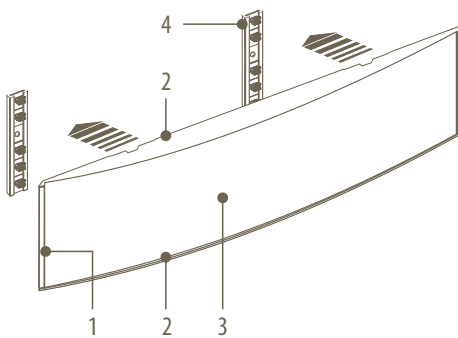
# MIRAGE WALL-MOUNTED

for indoor

Version with:



**INTERCHANGEABLE MODULES** Mirage with panelling in **ALUMINIUM** for permanent graphic



## MATERIALS AND COLOURS

1\_ \_profilis  
in anodized and powder coated  
aluminium

2\_ \_end caps  
in polycarbonate + abs  
with steel pins  
- silver RAL 9006  
- ash grey 007  
- black 085

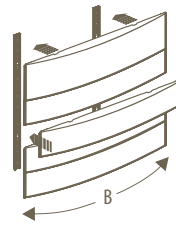
3\_ \_aluminium 7/10  
panelling

4\_ \_backguide  
in aluminium with  
nylon couplings

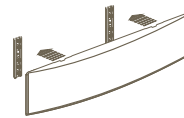
## INSTALLATION

Backguides must be fixed to  
the wall through expansion  
bolts.

## DIMENSIONS AND CODES

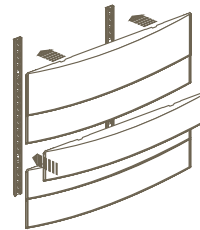


H	code		
300	MR4.4530	MR4.6030	MR4.9030
200	MR4.4520	MR4.6020	MR4.9020
160	MR4.4516	MR4.6016	MR4.9016
120	MR4.4512	MR4.6012	MR4.9012
80	MR4.4508	MR4.6008	MR4.9008
60	MR4.4506	MR4.6006	MR4.9006
B	450	600	900



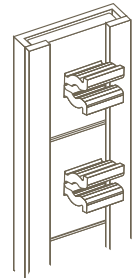
### WALL PLATES

Obtained by coupling one *Mirage* module  
to the two backguides fixed to the wall



### WALL PANELS

Obtained by coupling more *Mirage* modules  
to the two backguides fixed to the wall

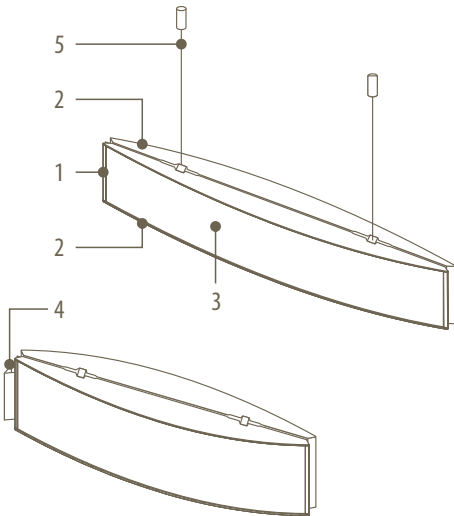
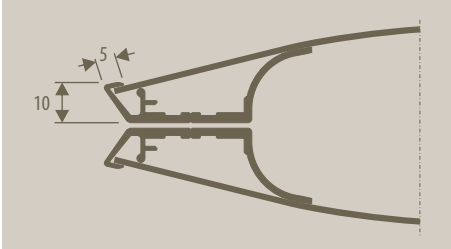


Backguides complete of pins are always  
necessary both for single plates and  
panels.



Version with:

 **INTERCHANGEABLES MODULES** Mirage with panelling in **ALUMINIUM** for permanent graphic



## MATERIALS AND COLOURS

1\_ profiles  
in anodized and powder coated aluminium

2\_ end caps  
in polycarbonate + abs  
with steel pins  
- silver RAL 9006  
- ash grey 007  
- black 085

3\_ aluminium 7/10 panelling

4\_ flag system support  
in aluminium  
- black  
- anodized

5\_ suspension kit  
composed by:  
- plasticized steel cables  
- automatic suspending clamps  
in chromium brass  
- nylon multiclips for  
opposite plates

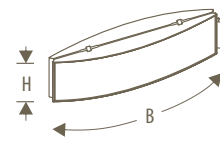
## INSTALLATION

- Flag system plates: fix the flag system support to the wall through expansion bolts.

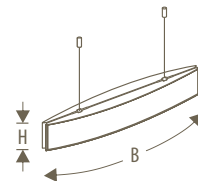
- Suspended plates: fix the suspension clamp to the ceiling through expansion bolts.

## DIMENSIONS AND CODES

**FLAG SYSTEM**  
Obtained by putting together two Mirage plates complete of a wall fixing support.



H	code
300	MR4.B4530
200	MR4.B4520
160	MR4.B4516
120	MR4.B4512
B 450	



## SUSPENDED

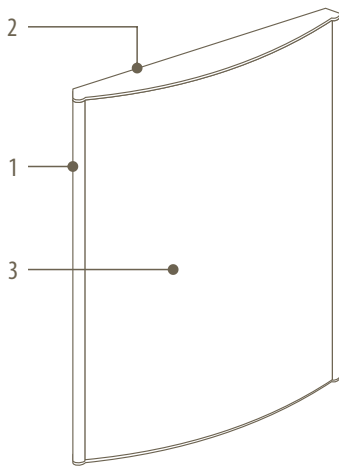
Obtained by putting together two Mirage plates which will be assembled hanging from the ceiling.

H	code		
300	MR4.S4530	MR4.S6030	MR4.S9030
200	MR4.S4520	MR4.S6020	MR4.S9020
160	MR4.S4516	MR4.S6016	MR4.S9016
120	MR4.S4512	MR4.S6012	MR4.S9012
80	MR4.S4508	MR4.S6008	MR4.S9008
B 450		600	900



Version with:

- graphic on **PAPER** + front protection
- panelling in **PETG** or in **ALUMINIUM** for permanent graphic



## MATERIALS AND COLOURS

1\_ \_profilis  
in anodized and powder coated  
aluminium

2\_ \_end caps  
in polycarbonate + abs  
- silver RAL 9006  
- ash grey 007  
- black 085

3\_a front protection  
(only for version on paper)  
in transparent polyester  
reflection-free (PETG) th. 1 mm

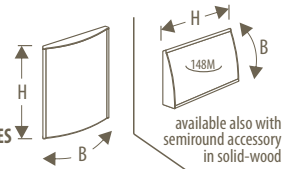
3\_b panelling in PETG  
covered with digital print  
(only for version on permanent graphic)  
in transparent polyester  
reflection-free (PETG) th. 1 mm  
Support more flexible than aluminium  
and so easier to replace.

3\_c aluminium 5/10 panelling  
covered with digital print  
on transparent vinyl  
(only for version on permanent graphic)  
It is suggested to choose this solution when we  
would like to see the aluminium background.

## DIMENSIONS AND CODES

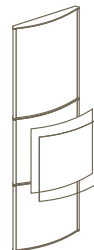
**Complete the code adding the suffix:**

- **PX** graphic on paper + front protection
- **GP** panelling in PETG covered with digital print
- **AL** panelling in aluminium covered with digital print on transparent vinyl (not available for long horizontal plates)



Specific measure for long horizontal plates

H	WALL-MOUNTED PLATES				
	code				
1050	VL4.10105	VL4.15105	VL4.21105	VL4.30105	VL4.15M105
700	VL4.1070	VL4.1570	VL4.2170	VL4.3070	VL4.15M70
500	VL4.1050	VL4.1550	VL4.2150	VL4.3050	VL4.15M50
420				<input type="checkbox"/> A3 VL4.A3	
297			<input type="checkbox"/> A4 VL4.A4	<input type="checkbox"/> VL4.3030	
210		<input type="checkbox"/> A5 VL4.A5	<input type="checkbox"/> VL4.2121	<input type="checkbox"/> A4 VL4.3021	<input type="checkbox"/> A5 VL4.15M21
148	<input type="checkbox"/> A6 VL4.A6	<input type="checkbox"/> VL4.1515	<input type="checkbox"/> A5 VL4.2115	<input type="checkbox"/> VL4.3015	<input type="checkbox"/> VL4.15M15
105	<input type="checkbox"/> VL4.1010	<input type="checkbox"/> VL4.1510	<input type="checkbox"/> VL4.2110	<input type="checkbox"/> VL4.3010	<input type="checkbox"/> VL4.15M10
60	<input type="checkbox"/> VL4.1006	<input type="checkbox"/> VL4.1506	<input type="checkbox"/> VL4.2106	<input type="checkbox"/> VL4.3006	
40	<input type="checkbox"/> VL4.1004	<input type="checkbox"/> VL4.1504	<input type="checkbox"/> VL4.2104	<input type="checkbox"/> VL4.3004	
	B 105		148		210
			297		148M



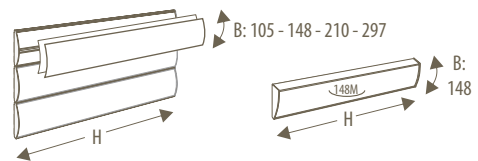
Dimensions refer to paper and panelling dimensions.

On demand it is possible to have H dimension personalized (max 2100 mm)

It is possible to assemble vertically two or more plates using a double end cap.

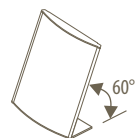
## LONG HORIZONTAL PLATES

The standard is to install the plate with end caps on the upper and on the lower part, however it is possible to turn it of 90° to have a longer horizontal plate.



## TABLE STAND

It is available a TABLE STAND, in anodized aluminium, for plates.



## REPLACEMENT OF GRAPHIC ON PAPER OR PANELLING

Through the proper suction pad the panelling, the front protection and the paper can be removed.

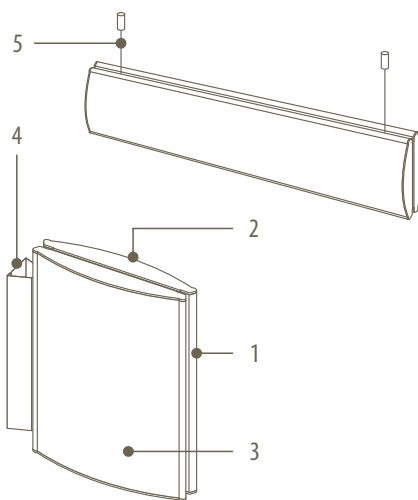
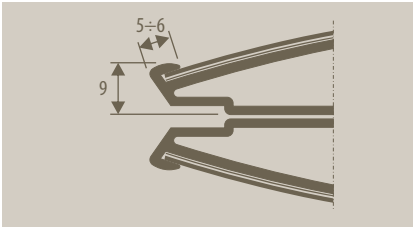
## INSTALLATION

To fix to wall through double-sided tape or expansion bolts.



Version with:

- graphic on **PAPER** + front protection
- panelling in **PETG** or **ALUMINIUM** for permanent graphic



## MATERIALS AND COLOURS

1\_ profiles  
in anodized and powder coated aluminium

2\_ end caps  
in polycarbonate + abs  
- silver RAL 9006  
- ash grey 007  
- black 085

3\_a front protection  
(only for version on paper)  
in transparent polyester  
reflection-free (PETG) th. 1 mm

3\_b panelling in PETG  
covered with digital print  
(only for version on permanent graphic)  
in transparent polyester  
reflection-free (PETG) th. 1 mm  
Support more flexible than aluminium  
and so easier to replace.

3\_c panelling in 5/10 aluminium  
covered with digital print  
on transparent vinyl  
(only for version on permanent graphic)  
It is suggested to choose this solution when we  
would like to see the aluminium background.

4\_ aluminium flag system  
support  
- black  
- anodized

5\_ suspension kit  
composed by:  
- plasticized steel cables  
- automatic suspending clamps  
in chromium brass  
- nylon multiclips for  
opposite plates

## DIMENSIONS AND CODES

Complete the code adding the suffix:

- **PX** graphic on paper + front protection
- **GP** panelling in PETG covered with digital print
- **AL** panelling in aluminium covered with digital print on transparent vinyl

		VERTICAL FLAG SYSTEM		
H	code	<input type="checkbox"/> A4	<input type="checkbox"/> A5	<input type="checkbox"/> A5
297		VL4.BV2130		
210		VL4.BV1521	VL4.BV2121	VL4.BV2115M
148		VL4.BV1515	VL4.BV2115	VL4.BV1515M
	B	148	210	148M

Dimensions refer to dimension of paper or panelling

		HORIZONTAL FLAG SYSTEM		
H	code	<input type="checkbox"/> A6	<input type="checkbox"/> A5	<input type="checkbox"/> A5
148		VL4.BZ10115M	VL4.BZ1515M	VL4.BZ2115M
210			VL4.BZ1521	VL4.BZ2121
148		VL4.BZ1015	VL4.BZ1515	VL4.BZ2115
105		VL4.BZ1010	VL4.BZ1510	VL4.BZ2110
	L	105	148	210

		SUSPENDED	
H	code		
148M		VL4.S7015M	VL4.S10515M
297		VL4.S7030	VL4.S10530
210		VL4.S7021	VL4.S10521
148		VL4.S7015	VL4.S10515
105		VL4.S7010	VL4.S10510
	L	700	1050

Version **-AL** not available

## REPLACEMENT OF GRAPHIC ON PAPER OR PANELLING

Through the proper suction pad the panelling, the front protection and the paper can be removed.

## INSTALLATION

- Flag system plates:  
fix the flag system support to the wall with expansion bolts.
- Suspended plates:  
fix the suspending clamp to the ceiling with expansion bolts.



<b>ELIX</b> (for indoor):	
WALL MOUNTED - small size	50
WALL MOUNTED - big size	51
FLAG SYSTEM and SUSPENDED	52
GRAPHIC REPLACEMENT and TAMPER-PROOF SYSTEM	53
<b>ELIX NF</b> (for indoor):	
WALL MOUNTED - FLAG SYSTEM - SUSPENDED	54
<b>AQUA</b> (for indoor):	
WALL MOUNTED and FLAG SYSTEM - with pocket	55
WALL MOUNTED and FLAG SYSTEM - with pocket	56
SUSPENDED	57
<b>SEGNO</b> (for indoor):	
WALL MOUNTED	58
SUSPENDED	60
FLAG SYSTEM	61
<b>SEGNO LIGHT</b> (for indoor):	
WALL MOUNTED	62
FLAG SYSTEM and SUSPENDED	63
<b>SPEED</b> (for indoor):	
WALL MOUNTED	64
FLAG SYSTEM and SUSPENDED	65
TABLE <b>SUPPORT</b>	66

# ELIX WALL MOUNTED

small size - for indoor

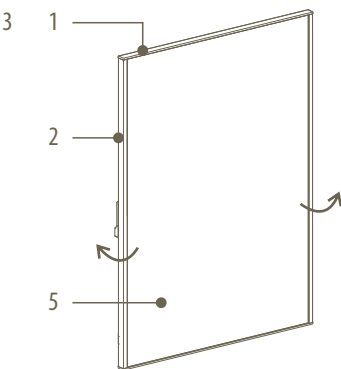
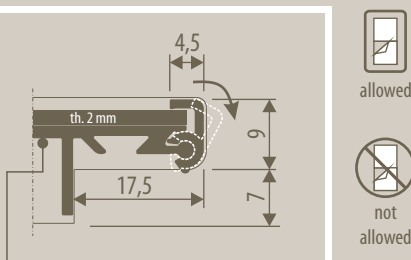
50

Version with:

- panelling in **DIBOND** for permanent graphic
- graphic on **PAPER** + front protection

With **TAMPER-PROOF SYSTEM**

Possibility to divide the plate in **SEVERAL MODULES** openable singularly:



## MATERIALS AND COLOURS

- 1\_ end caps in polycarbonate + abs silver RAL 9006
- 2\_ openable profiles in anodized aluminium
- 3\_ basic profil (not in sight) in aluminium
- 4\_ opening springs (not in sight) in white techno-polymer
- 5\_a panelling in Dibond th. 2 mm
- 5\_b front protection (only for version on paper) in transparent polyester reflection-free (PETG) th. 2 mm

TAMPER-PROOF SYSTEM and REPLACEMENT OF THE PAPER  
See page 53

## INSTALLATION

To fix to the wall with expansion bolts.

## DIMENSIONS AND CODES

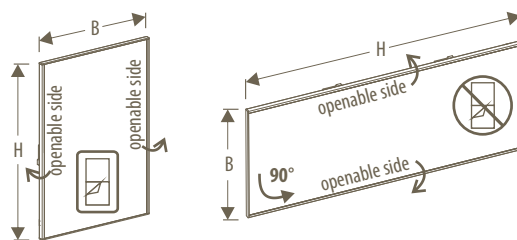
### Complete the code adding the suffix:

To identify the panelling requested:

- **DB** panelling in Dibond (aluminium composite sheets)
- **PX** graphic on paper + front protection

To ask for tamper-proof system add also:

+ **SAM** tamper-proof system requested



The standard is to install the plate with openable profiles laterally, moreover it can be turned of 90° and have, in this way, openable profiles in the upper and lower side (ideal for long horizontal plates).

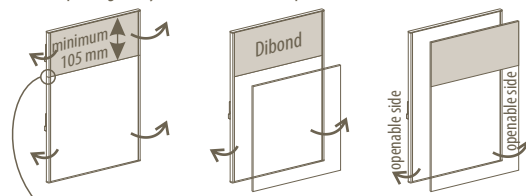
Specific measures for long horizontal plates

H	code					
1050	EL4.10105	EL4.15105	EL4.21105	EL4.30105		
700	EL4.1070	EL4.1570	EL4.2170	EL4.3070		
500	EL4.1050	EL4.1550	EL4.2150	EL4.3050		
594				<input type="checkbox"/> A2 EL4.4260-T		
420				<input type="checkbox"/> A3 EL4.3042		
297	EL4.1030	EL4.1530	EL4.2130	EL4.3030 <input type="checkbox"/> A4		
210	EL4.1021	EL4.1521	EL4.2121	EL4.3021 <input type="checkbox"/> A5		
148	EL4.1015	EL4.1515	EL4.2115	EL4.3015 <input type="checkbox"/> A6		
105	EL4.1010	EL4.1510	EL4.2110	EL4.3010 <input type="checkbox"/> A6		
	B	105	148	210	297	420

Dimensions refer to paper or panelling dimension.  
On demand it is possible to have panels with H dimension personalized (max 2100 mm).

Starting from the standard model it is possible to personalize the plate through the panelling:

- dividing it in modules (A and B)
- putting a vinyl header on the front protection (C)



A) Opening profiles subdivided and openable singularly. Each part can be provided with tamper-proof system.

**Minimum height for each module: 105 mm**

B) Opening profile. Module in Dibond glued to the plate

C) Opening profile. Front protection with adhesive front sheet.

To identify the plate code value the total B x H measure



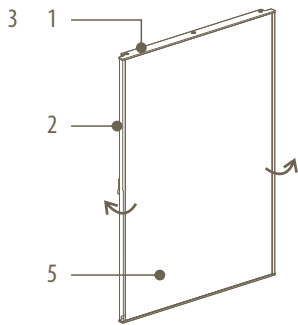
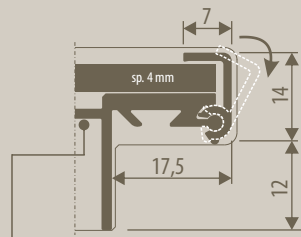


Version with:

- panelling in **DIBOND** for permanent graphic
- graphic on **PAPER** + front protection
- graphic on **MAGNETIC** support for permanent graphic

With **TAMPER-PROOF SYSTEM**

Possibility to divide the plate in **SEVERAL MODULES** openable singularly:



## MATERIALS AND COLOURS

- 1\_ end caps in anodized aluminium
- 2\_ openable profiles in anodized aluminium
- 3\_ basic profile (not in sight) in aluminium
- 4\_ opening springs (not in sight) in white techno-polymer
- 5\_a panelling in Dibond th. 3 mm
- 5\_b front protection (only for version on paper) in transparent polyester reflection-free (PETG) th. 2 mm + background in Dibond th. 2 mm
- 5\_c magnetic magnetic support + front protection in transparent polyester reflection-free (PETG) th. 2 mm + iron background

## DIMENSIONS AND CODES

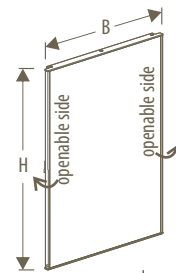
**Complete the code adding the suffix:**

To identify the panelling requested:

- **DB** panelling in dibond
- **PX** graphic on paper + front protection + background in Dibond
- **M** magnetic panelling + iron background + front protection

To ask for tamper-proof system add also:

+ **SAM** tamper-proof system requested



version with paper NOT available

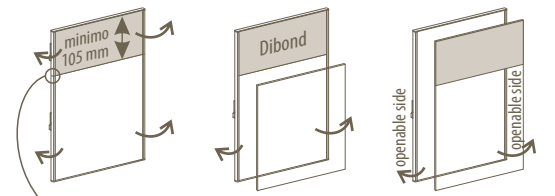
H	code		<input type="checkbox"/> AO	<input type="checkbox"/>	
1188	EL4.42120	EL4.60120	EL4.90120	EL4.120120	
840	EL4.4290	EL4.6090	<input type="checkbox"/> A1	<input type="checkbox"/> AO EL4.9090 EL4.12090	
594	EL4.4260	EL4.6060	<input type="checkbox"/> A2	<input type="checkbox"/> A1 EL4.9060	
420	EL4.4242	EL4.6042	<input type="checkbox"/>	<input type="checkbox"/> A2	
297	EL4.4230		<input type="checkbox"/> A3		
	B	420	594	840	1188

Dimensions refer to alle paper or panelling dimension.

On demand it is possible to have panels with H dimension personalized (max 2100 mm)

Starting from the standard model it is possible to personalize the plate through the panelling:

- dividing it in modules (A and B)
- putting a vinyl header on the front protection (C)



A) Opening profiles subdivided and openable singularly. Each part can be provided with tamper-proof system. **Minimum height for each module: 105 mm**

B) Opening profile. Module in Dibond glued to the plate

C) Opening profile. Front protection with adhesive front sheet.

To identify the plate code value the total B x H measure



**TAMPER-PROOF SYSTEM and REPLACEMENT OF THE PAPER**  
See page 53

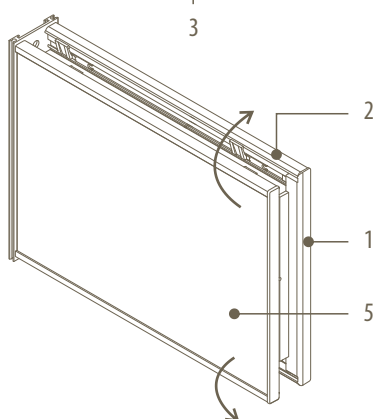
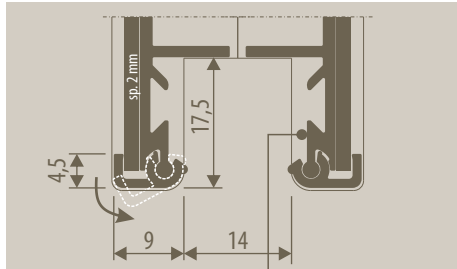
## INSTALLATION

To be fixed to the wall with expansion bolts.

Version with:

- panelling in **DIBOND** for permanent graphic
- graphic on **PAPER** + front protection

- With **TAMPER-PROOF SYSTEM**



## MATERIALS AND COLOURS

- 1\_ end caps in polycarbonate + abs silver RAL 9006
- 2\_ openable profiles in anodized aluminium
- 3\_ basic profile (not in sight) in aluminium
- 4\_ opening springs (not in sight) in white techno-polymer
- 5\_a panelling in Dibond th. 2 mm
- 5\_b front protection (only for version on paper) in transparent polyester non-reflecting (PETG) th. 2 mm
- 6\_ flag system support in aluminium
- 7\_ suspension kit cables in plastified steel and suspension clamps in chromium-plated brass

## DIMENSIONS AND CODES

### Complete the code adding the suffix:

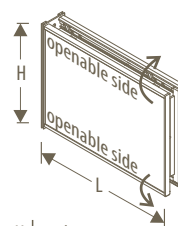
To identify the panelling requested:

- **DB** panelling in Dibond
- **PX** graphic on paper + front protection

To ask for tamper-proof system add also:

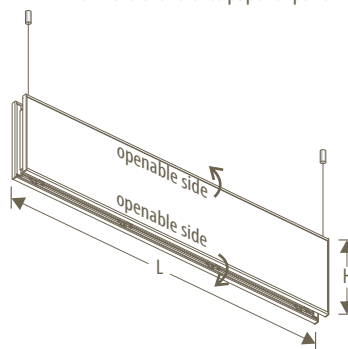
+ **SAM** tamper-proof system requested

Tamper-proof system (available on demand for all models but not advised for suspended and flag system plates):



H	code	FLAG SYSTEM PLATES			
210		<input type="checkbox"/> A5	<input type="checkbox"/>	<input type="checkbox"/> A4	
	EL4.B1021	EL4.B1521	EL4.B2121	EL4.B3021	
148		<input type="checkbox"/> A6	<input type="checkbox"/>	<input type="checkbox"/> A5	
	EL4.B1015	EL4.B1515	EL4.B2115	EL4.B3015	
105		<input type="checkbox"/>	<input type="checkbox"/> A6		
	EL4.B1010	EL4.B1510	EL4.B2110	EL4.B3010	
L		105	148	210	297

Dimensions refer to paper or panelling dimensions



H	code	SUSPENDED PLATES			
297	EL4.S7030	EL4.S10530	EL4.S12530	EL4.S15030	
210	EL4.S7021	EL4.S10521	EL4.S12521	EL4.S15021	
148	EL4.S7015	EL4.S10515	EL4.S12515	EL4.S15015	
105	EL4.S7010	EL4.S10510	EL4.S12510	EL4.S15010	
L		700	1050	1250	1500

Dimensions refer to paper or panelling dimensions

On demand it is possible to have panels with L dimension personalized (max 2100 mm)



## TAMPER-PROOF SYSTEM and REPLACEMENT OF THE PAPER

See page 53

## INSTALLATION

To be fixed with expansion bolts.

### REPLACEMENT OF THE GRAPHIC / PANELLING

To take off panelling/front protection, lateral profiles must be opened.

If the plate has a tamper-proof system (SAM) the opening of the lateral profiles must be done after the unlocking of SAM.

### TAMPER-PROOF SYSTEM

When there is the need to protect moduls from their not authorized removal, tamper-proof system can be installed, avoiding, when inserted, the opening of the profile and the consequent removal of the front panelling.

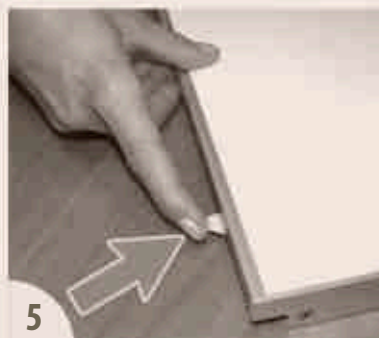
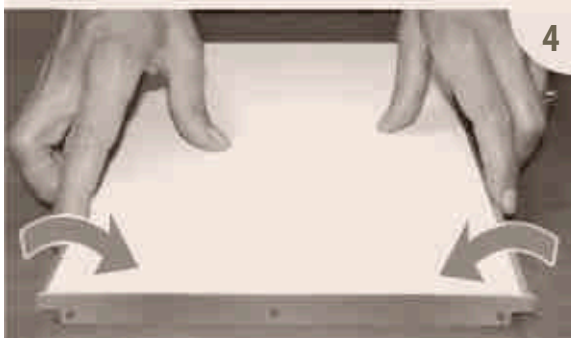
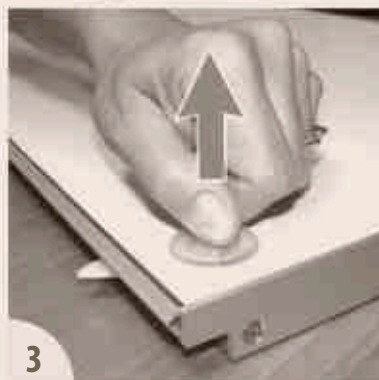
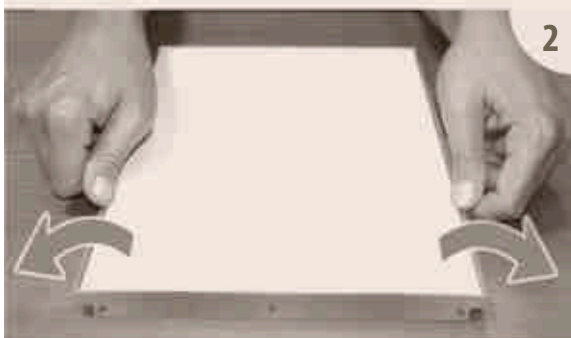
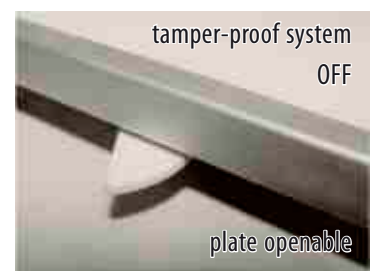
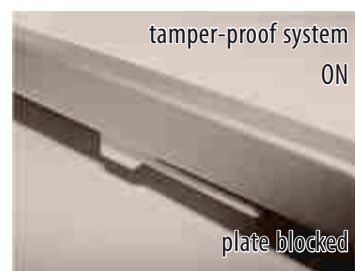
When it is inserted it disappears and so only the authorized personnel can unlock it, pushing the lever hidden on the back.

When the tamper-proof system is opened it is visible and so there is not the risk to let it accidentally unlocked.

Push the lever towards the lateral profile to lock it again,

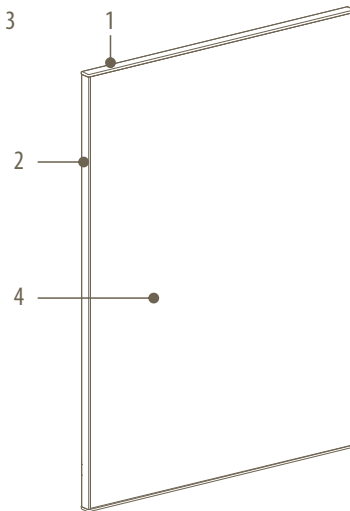
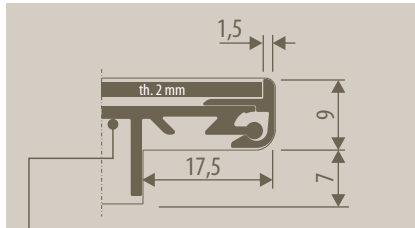
All these operations without using any particular tools and letting all components integral to the plate.

Tamper-proof system is available on demand for all models but unnecessary for flag system or suspended plates.



- 1) UNLOCK THE TAMPER-PROOF SYSTEM pushing the lever letting it appear. If you can't with a finger, use a stiff tool.
- 2) OPEN THE PLATE acting on lateral profiles
- 3) REMOVE and REPLACE panelling (or paper) with the help of a suction pad
- 4) CLOSE THE PLATE acting on lateral profiles
- 5) INSERT THE TAMPER-PROOF SYSTEM pushing the lever towards the plate and letting it disappear.

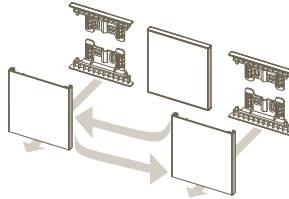
Version with:

panelling in **DIBOND**  
for permanent graphic

Thought and realized as simplification of ELIX line, in order to satisfy applications where:

- graphic on paper is not requested
- interchangeability of panelling is not necessary

The plate is well clipped to end caps and it is also possible to swap one plate with another one. The removal of the plate, in fact, is not a cause of damage neither for end caps nor for the plate itself; this one can be reused and clipped again in another place.



### MATERIALS AND COLOURS

- 1\_ end caps in polycarbonate + abs silver RAL 9006
- 2\_ lateral fixed profiles in anodized aluminium
- 3\_ basic profile (not in sight) in aluminium
- 4\_ panelling in Dibond th. 2 mm



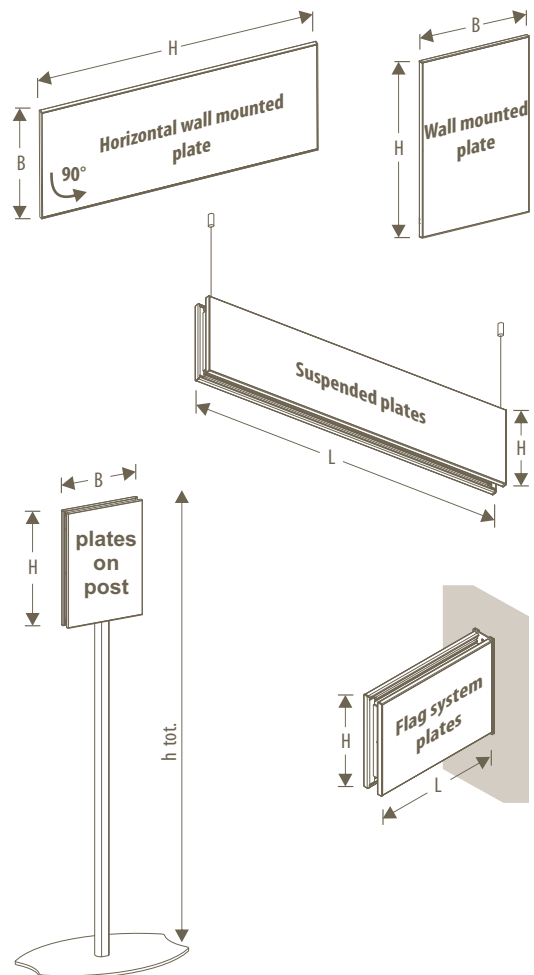
### DIMENSIONS AND CODES

For size and codes see the related type among ELIX plates and **complete the code adding the suffix - NF**

Product types:

<b>Wall mounted plates</b>	"Elix plates <b>WALL MOUNTED of SMALL SIZE</b> " (page 50)
	"Elix plates <b>WALL MOUNTED of BIG SIZE</b> " (page 51)
<b>Flag system plates</b>	"Elix plates <b>FLAG SYSTEM</b> " (page 52)
<b>Suspended plates</b>	"Elix plates <b>SUSPENDED</b> " (page 52)
<b>Plates on post</b>	"Elix plates <b>ON POST</b> " (see the chapter «self-standing for indoor»)

The standard previews to install the plate with the openable profiles laterally placed, however it is possible to rotate it of 90° and have thus the openable profiles placed on the upper and below sides (ideal for horizontal plates).

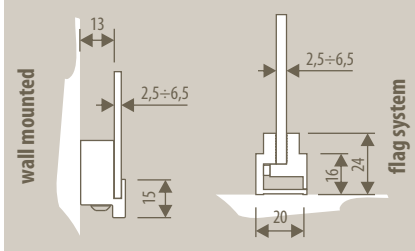


### INSTALLATION

To be fixed with expansion bolts.

Version with:

graphic on **PAPER**



IMMEDIATE REPLACEMENT OF THE GRAPHIC

CLAMP REGULATION

The clamp can be regulated for plates with thickness from min 2,5 to max 6,5 mm

INSTALLATION

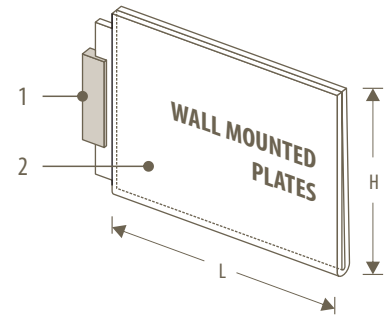
To be fixed to the wall with expansion bolts.

## MATERIALS AND COLOURS

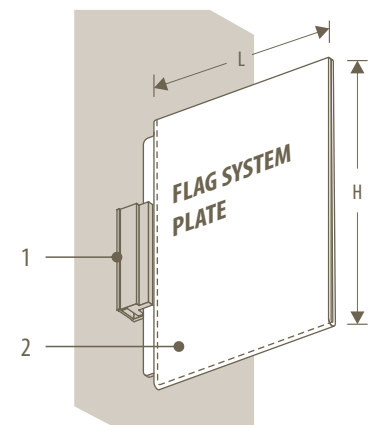
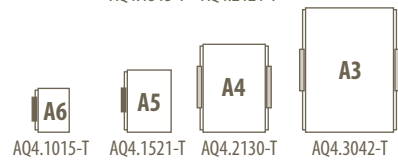
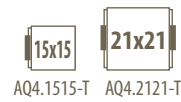
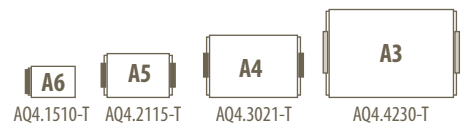
1\_ ADJUSTABLE CLAMPS in anodized aluminium length 80 and 140 mm

2\_ POCKET in plexiglas in transparent acrylic (PMMA) th. 2 mm

## DIMENSIONS AND CODES



■ clamp 80   ■ clamp 140   **WALL MOUNTED PLATE**



■ clamp 80   **FLAG SYSTEM PLATE**



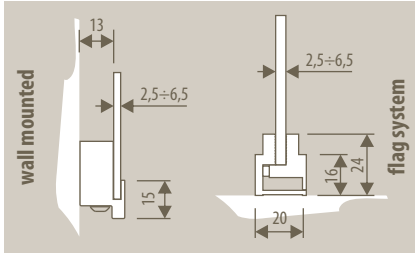
# AQUA WITH POCKET

wall mounted and flag system - for indoor

Version with:

- panelling in **DIBOND** for permanent graphic
- panelling in **PLEXIGLAS** for permanent graphic

With **TAMPER-PROOF SYSTEM**



### TAMPER-PROOF SYSTEM and REPLACEMENT OF THE GRAPHIC

The removal of the panelling or the front protection is allowed after the opening of the adjustable clamp.  
To open the clamp it is necessary to act on the screw in the lower part.

### INSTALLATION

To be fixed to the wall through expansion bolts.

### MATERIALS AND COLOURS

1\_ ADJUSTABLE CLAMPS in anodized aluminium length 80 and 140 mm

2\_a panelling in Dibond (aluminium composite sheets) silver or white th. 3 mm

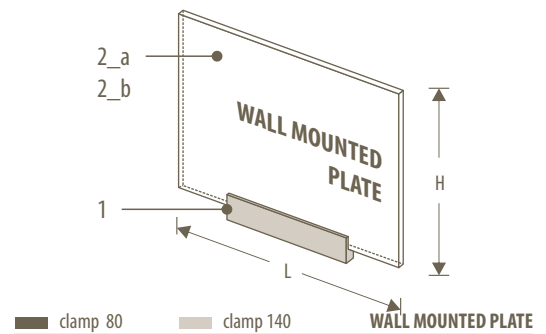
2\_b panelling in plexiglas in transparent acrylic (PMMA) th. 4 mm

### DIMENSIONS AND CODES

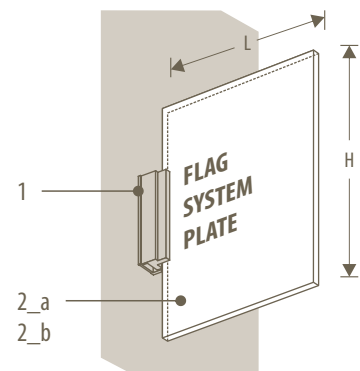
#### Complete the code adding the suffix:

To identify the panelling requested:

- **DB** panelling in Dibond
- **PX** panelling in plexiglas



clamp 80		clamp 140		<b>WALL MOUNTED PLATE</b>			
<b>A6</b>	<b>A5</b>	<b>A4</b>	<b>A3</b>				
AQ4.1510	AQ4.2115	AQ4.3021	AQ4.4230				
<b>15x15</b>	<b>21x21</b>						
AQ4.1515	AQ4.2121						
<b>A6</b>	<b>A5</b>	<b>A4</b>	<b>A3</b>				
AQ4.1015	AQ4.1521	AQ4.2130	AQ4.3042				

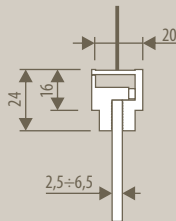


clamp 80		clamp 140		<b>FLAG SYSTEM PLATE</b>			
<b>A6</b>	<b>A5</b>	<b>A4</b>	<b>A3</b>				
AQ4.B1510	AQ4.B2115	AQ4.B3021	AQ4.B4230				
<b>15x15</b>	<b>21x21</b>						
AQ4.B1515	AQ4.B2121						
<b>A6</b>	<b>A5</b>	<b>A4</b>	<b>A3</b>				
AQ4.B1015	AQ4.B1521	AQ4.B2130	AQ4.B3042				

Version with:

- panelling in **DIBOND** for permanent graphic
- panelling in **PLEXIGLAS** for permanent graphic

With **TAMPER-PROOF SYSTEM**



### TAMPER-PROOF SYSTEM and REPLACEMENT OF THE GRAPHIC

The removal of the panelling or the front protection is allowed after the opening of the adjustable clamp. To open the clamp it is necessary to act on the screw in the lower part.

### INSTALLATION

To be fixed to the ceiling through expansion clamps.

### MATERIALS AND COLOURS

1\_ ADJUSTABLE CLAMPS in anodized aluminium length 80 mm

2\_a PLATE in Dibond (aluminium composite sheets) silver or white th. 3 mm

2\_b PLATE in PLEXIGLAS in transparent acrylic (PMMA) th. 4 mm

If you choose the transparent acrylic the graphic can be only one-sided, while if you choose Dibond, the graphic can also be two-sided.

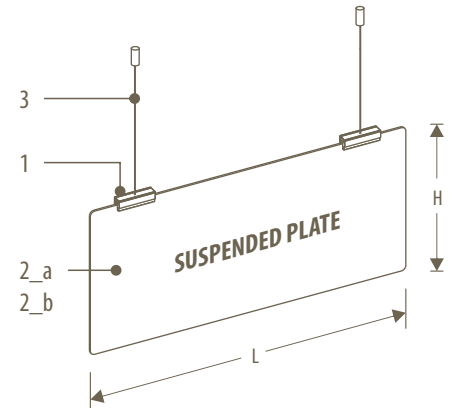
3\_ suspension kit cables in plastified steel and suspension clamps in chromium-plated brass

### DIMENSIONS AND CODES

**Complete the code adding the suffix:**

To identify the panelling requested:

- **DB** panelling in Dibond
- **PX** panelling in plexiglas



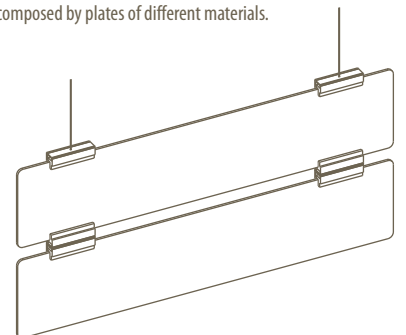
H	code				SUSPENDED PLATE			
500	AQ4.S5050	AQ4.S7550	AQ4.S10050	AQ4.S12550				
400	AQ4.S5040	AQ4.S7540	AQ4.S10040	AQ4.S12540				
300	AQ4.S5030	AQ4.S7530	AQ4.S10030	AQ4.S12530				
200	AQ4.S5020	AQ4.S7520	AQ4.S10020	AQ4.S12520				
160	AQ4.S5016	AQ4.S7516	AQ4.S10016	AQ4.S12516				
120	AQ4.S5012	AQ4.S7512	AQ4.S10012	AQ4.S12512				
80	AQ4.S5008	AQ4.S7508	AQ4.S10008	AQ4.S12508				
L	500	750	1000	1250				

Dimensions refer to paper or panelling dimensions

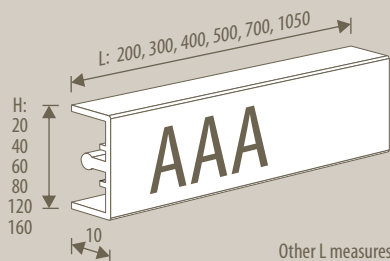
On demand it is possible to have panels with L dimension personalized (max 2100 mm)

### MULTIPLE PLATES (We suggest to limit the use of this solution)

To use only if you desire to have a plate composed by plates of different materials.

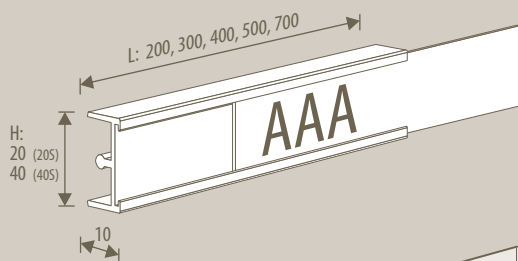


## SEGNO MODULE (MODULAR PLATES)

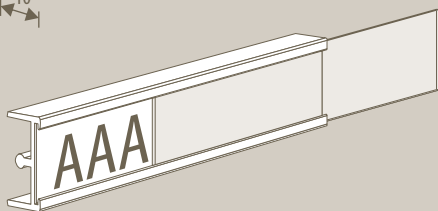


1\_a

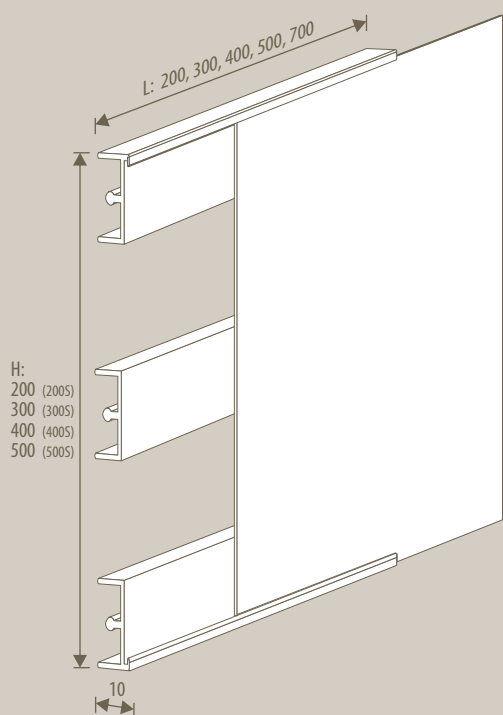
Moreover are available formats (L x H):  
 80 x 80, 80 x 120  
 120 x 80, 120 x 120  
 160 x 160  
 Other L measures on demand (max 2100 mm)



1\_b



1\_c



1\_d

## MATERIALS AND COLOURS

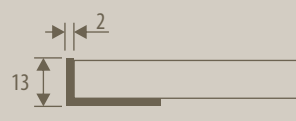
1\_a segno module in anodized or powder coated aluminium

1\_b segno module in anodized or powder coated aluminium with aluminium sheet

1\_c segno module in anodized or powder coated aluminium with front protection (only for version on paper) in reflection-free transparent polyester (PETG) th. 0,5 mm

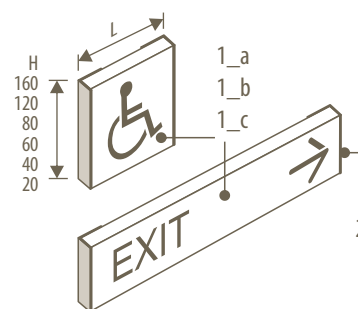
1\_d segno module in anodized or powder coated aluminium with aluminium sheet

## WALL MOUNTED PLATES



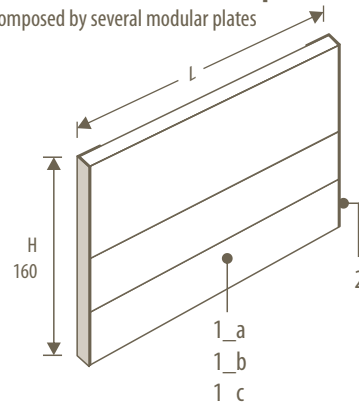
### SINGLE wall mounted plates

composed by a modular plate



### MULTIPLE wall mounted plates

composed by several modular plates



## MATERIALS AND COLOURS

2\_ end cap in black nylon with integrated couplings

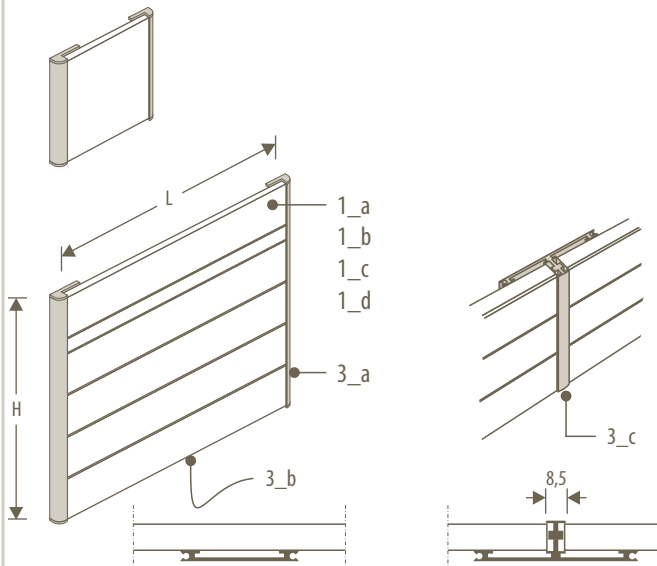
## INSTALLATION

To be fixed to wall with expansion bolts.





## WALL MOUNTED PANEL with side round guide



### MATERIALS AND COLOURS

3\_a side round guide  
in anodized and powder coated  
aluminium complete of  
coupling

3\_b central guide (not in sight)  
in aluminium complete of  
coupling

For panels with big width (over 600 mm)  
a central support is mounted on the back  
(not visible on front)

3\_c double central guide  
in aluminium complete of  
coupling

Necessary for panel on several columns

### INSTALLATION

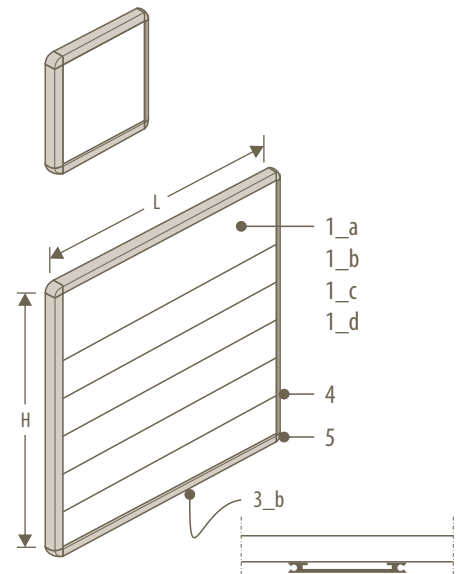
To be fixed to the wall  
with expansion bolts.

## WALL MOUNTED PANEL with frame



For SMALL structures (frame "SL")

For MEDIUM-BIG structures ("three-way" frame)



### MATERIALS AND COLOURS

4\_ frame  
in anodized and powder coated  
aluminium complete of  
coupling

5\_ corners for frame  
in nylon

- silver RAL 9006
- ash grey 007\*
- black 085

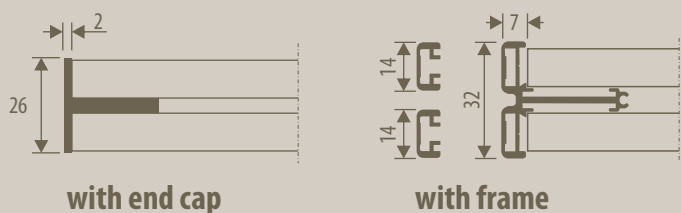
\* not available for «three-way» system frame

### INSTALLATION

To be fixed to the wall  
with expansion bolts.



## SUSPENDED PLATE



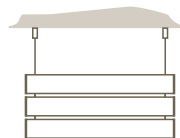
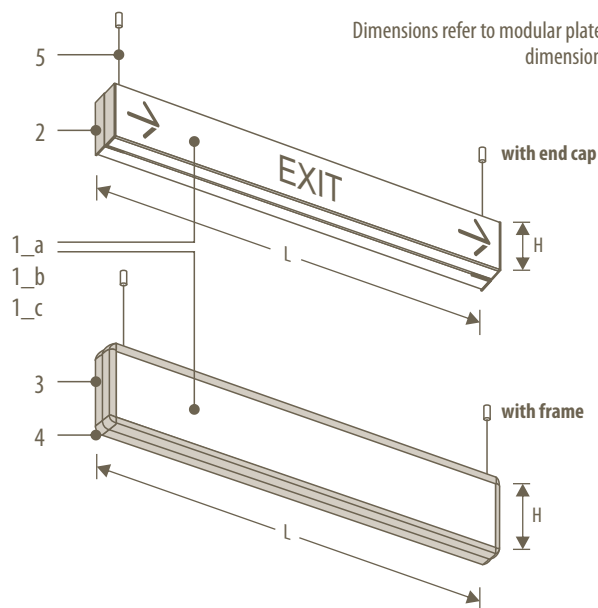
## DIMENSIONS AND CODES

Complete the code adding the suffix:

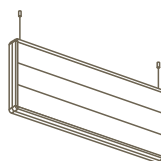
- T with end cap
- C with frame

H	code				SUSPENDED PLATES			
160	SE4.S7016	SE4.S8016	SE4.S10516	SE4.S12516				
120	SE4.S7012	SE4.S8012	SE4.S10512	SE4.S12512				
80	SE4.S7008	SE4.S8008	SE4.S10508	SE4.S12508				
60	SE4.S7006	SE4.S8006	SE4.S10506	SE4.S12506				
	L	700	800	1050	1250			

Dimensions refer to modular plate dimension



Several plates can be mounted on the same cable separating them with a spacer.



When the sign is composed of several modular plates it is possible to have a single frame with all plates inserted or more frames for each plate.

## MATERIALS AND COLOURS

1\_a/b/c segno module see box «SEGNO MODULE (MODULAR PLATES)» page 58

2\_ end cap in black nylon with integrated couplings

3\_ frame in anodized or powder coated aluminium complete of couplings

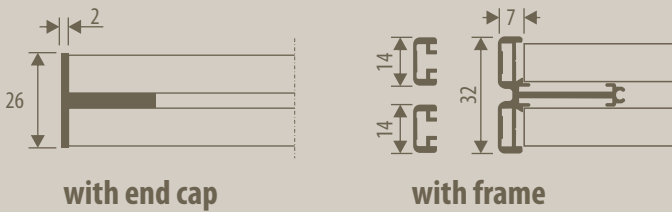
4\_ corners for frame in nylon  
- silver RAL 9006  
- ash grey 007  
- black 085

5\_ suspension kit cables in plastified steel and suspension clamps in chromium-plated brass

## INSTALLATION

To be fixed to the ceiling with expansion bolts.

## FLAG SYSTEM PLATE



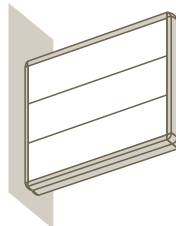
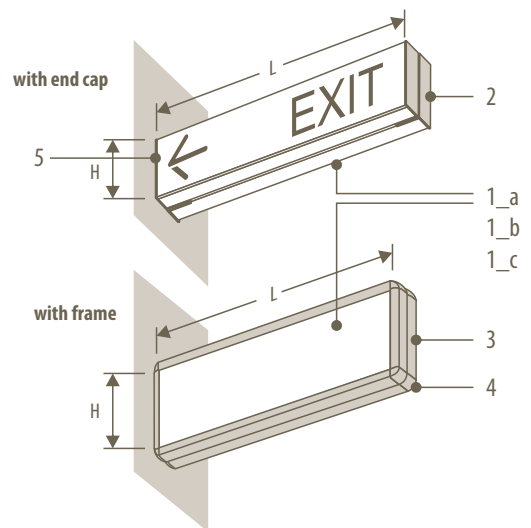
## DIMENSIONS AND CODES

Complete the code adding the suffix:

- T with end cap
- C with frame

H	code	FLAG SYSTEM PLATES					
160		SE4.B1616	SE4.B2016	SE4.B2516	SE4.B3016	SE4.B4016	
120		SE4.B1212	SE4.B1612	SE4.B2012	SE4.B2512	SE4.B3012	SE4.B4012
80		SE4.B1208	SE4.B1608	SE4.B2008	SE4.B2508	SE4.B3008	SE4.B4008
60			SE4.B2006	SE4.B2506	SE4.B3006	SE4.B4006	
L		120	160	200	250	300	400

Dimensions refer to modular plate dimension



When the sign is composed of several modular plates it is possible to have a single frame with all plates inserted.

## MATERIALS AND COLOURS

1\_ a/b/c segno module  
see box «SEGNO MODULE  
(MODULAR PLATES)»  
page 58

2\_ end cap  
in black nylon  
with integrated couplings

3\_ frame  
in anodized or powder  
coated aluminium  
complete of couplings

4\_ corners for frame  
in nylon  
- silver RAL 9006  
- ash grey 007  
- black 085

5\_ flag system support  
in black powder coated aluminium

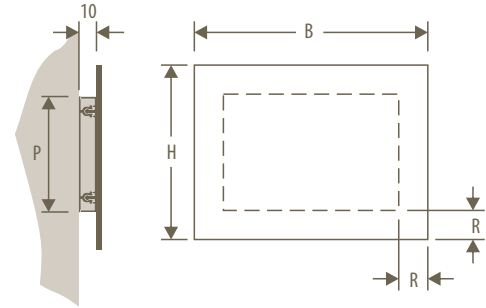
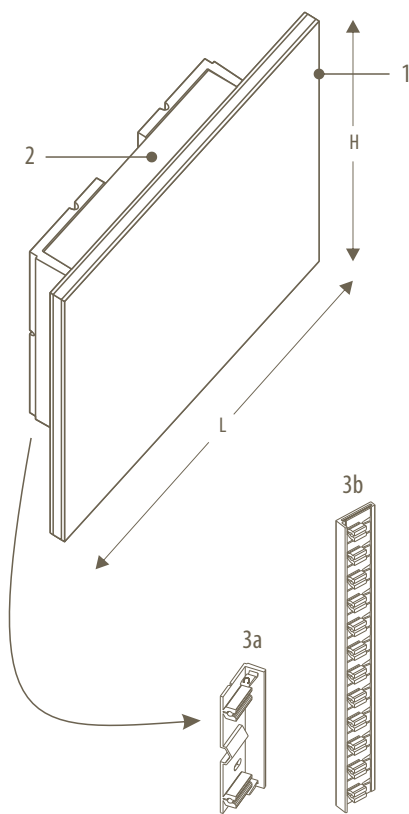
## INSTALLATION

To be fixed to wall with  
expansion bolts.

# SEGNO light WALL MOUNTED

for indoor

## DIMENSIONS AND CODES



H	P	R	WALL MOUNTED PLATES										
500	50												
3b	400	40											
	300	30											
	200	160	20										
3a	160	120	20	SH4.1216	SH4.1616	SH4.2016	SH4.3016	SH4.4016	SH4.5016	SH4.7016	SH4.10516		
	120	80	20	SH4.0812	SH4.1212	SH4.1612	SH4.2012	SH4.3012	SH4.4012	SH4.5012	SH4.7012	SH4.10512	
	80	60	10	SH4.0808	SH4.1208		SH4.2008	SH4.3008	SH4.4008	SH4.5008	SH4.7008	SH4.10508	
	60	40	10				SH4.2006	SH4.3006	SH4.4006	SH4.5006	SH4.7006	SH4.10506	
				L	80	120	160	200	300	400	500	700	1050



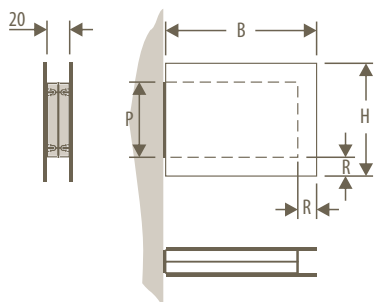
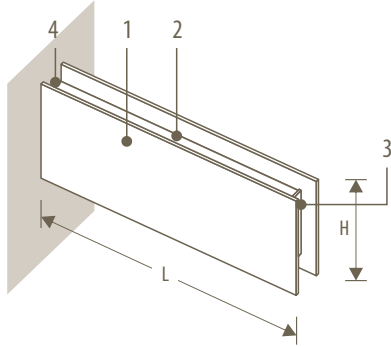
## MATERIALS AND COLOURS

- 1\_ panelling  
in Dibond (aluminium composite sheets) th. 3 mm
- 2\_ back spacer  
in aluminium
- 3\_a end caps for spacer  
in black nylon  
with integrated couplings
- 3\_b end caps for spacer  
in aluminium complete  
of couplings in nylon

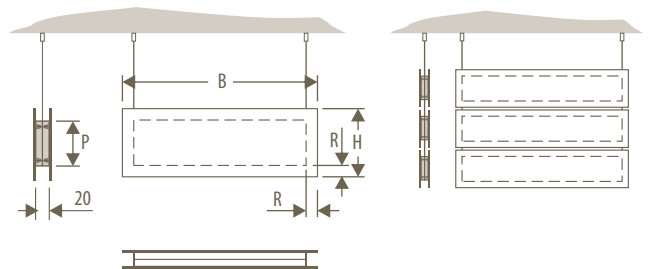
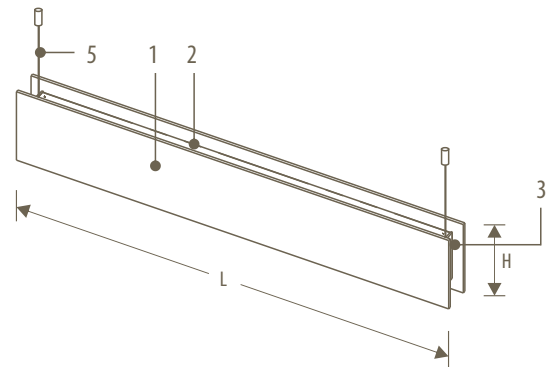
## INSTALLATION

To be fixed to the wall  
with expansion bolts.

## DIMENSIONS AND CODES



H	P	R	code				FLAG SYSTEM PLATES				
200	160	20			SH4.B2020	SH4.B2520	SH4.B3020	SH4.B4020			
160	120	20	SH4.B1216	SH4.B1616	SH4.B2016	SH4.B2516	SH4.B3016	SH4.B4016			
120	80	20	SH4.B1212	SH4.B1612	SH4.B2012	SH4.B2512	SH4.B3012	SH4.B4012			
80	60	10	SH4.B1208	SH4.B1608	SH4.B2008	SH4.B2508	SH4.B3008	SH4.B4008			
			L	120	160	200	250	300	400		



H	P	R	code				SUSPENDED PLATES			
200	160	20	SH4.S7020	SH4.S8020	SH4.S10520	SH4.S12520				
160	120	20	SH4.S7016	SH4.S8016	SH4.S10516	SH4.S12516				
120	80	20	SH4.S7012	SH4.S8012	SH4.S10512	SH4.S12512				
80	60	10	SH4.S7008	SH4.S8008	SH4.S10508	SH4.S12508				
			L	700	800	1050	1250			



## MATERIALS AND COLOURS

- 1\_ panelling  
in Dibond th. 3 mm
- 2\_ back spacer  
in aluminium
- 3\_ end caps for spacer  
in black nylon
- 4\_ flag system support  
in black aluminium
- 5\_ suspension kit  
cables in plastified steel  
and suspension clamps  
in chromium-plated brass

## INSTALLATION

To be fixed to wall/ceiling  
with expansion bolts.

	For <b>SMALL</b> structures (frame "SL")	For <b>MEDIUM-BIG</b> structures ("three-way" system frame)		For <b>strengthened MEDIUM-BIG</b> structures ("strengthened three-way" system frame)
graphic ON PAPER	PROTECTION in reflection-free transparent polyester th. 0,5 mm BACKGROUND in 7/10 anodized aluminium	PROTECTION in reflection-free transparent polyester th. 1 mm BACKGROUND in 7/10 anodized aluminium	PROTECTION in reflection-free transparent polyester th. 1 mm BACKGROUND in semifoam PVC white colour th. 2 or 3 mm (Forex)	FRONT PROTECTION in transparent acrylic th. 4 mm BACKGROUND in Dibond th. 3 mm, white colour or silver
graphic PERMANENT	BACKGROUND in 7/10 different colours aluminium	BACKGROUND in 12/10 different colours aluminium	BACKGROUND in 12/10 different colours aluminium	not available

Version with:

- graphic on **PAPER** + front protection + background
- permanent graphic

## REPLACEMENT OF THE PAPER

Removing the upper part of the frame that is snap-mounted to the frame.

## INSTALLATION

To be fixed to the wall with expansion bolts.

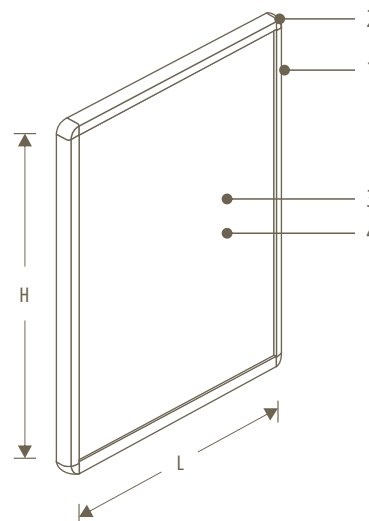


## MATERIALS AND COLOURS

- 1\_ frame  
in anodized or powder coated aluminium
- 2\_ corners  
in polycarbonate + abs  
- black 085  
- ash grey 007\*  
- silver RAL 9006
- 3\_ front protection  
(only for version on paper)  
see box
- 4\_ background (see box)  
- in anodized or powder coated aluminium  
- in semifoam PVC (Forex)  
- in Dibond

\* not available for «three-way» and «strengthened three-way» system frames

## DIMENSIONS AND CODES



H	code				WALL MOUNTED PLATES		
594			<input type="checkbox"/> A2	<input type="checkbox"/>	<input type="checkbox"/>	<input type="checkbox"/>	
			<input checked="" type="checkbox"/> SP4.A2	<input checked="" type="checkbox"/> SP4.6060	<input checked="" type="checkbox"/> SP4.A2XP		
420			<input type="checkbox"/> A3	<input type="checkbox"/>	<input type="checkbox"/> A2	<input type="checkbox"/>	
			<input checked="" type="checkbox"/> SP4.A3	<input checked="" type="checkbox"/> SP4.4242	<input checked="" type="checkbox"/> SP4.6042		
297			<input type="checkbox"/> A4	<input type="checkbox"/>	<input type="checkbox"/> A3	<input type="checkbox"/>	
			<input checked="" type="checkbox"/> SP4.A4	<input checked="" type="checkbox"/> SP4.3030	<input checked="" type="checkbox"/> SP4.4230		
210			<input type="checkbox"/> A5	<input type="checkbox"/>	<input type="checkbox"/> A4	<input type="checkbox"/>	
			<input checked="" type="checkbox"/> SP4.A5	<input checked="" type="checkbox"/> SP4.2121	<input checked="" type="checkbox"/> SP4.3021	<input checked="" type="checkbox"/> SP4.4221	
148	<input type="checkbox"/> A6	<input type="checkbox"/>	<input type="checkbox"/> A5	<input type="checkbox"/>	<input type="checkbox"/>	<input type="checkbox"/>	
	<input checked="" type="checkbox"/> SP4.A6	<input checked="" type="checkbox"/> SP4.1515	<input checked="" type="checkbox"/> SP4.2115	<input checked="" type="checkbox"/> SP4.3015			
105			<input type="checkbox"/> A6	<input type="checkbox"/>	<input type="checkbox"/>	<input type="checkbox"/>	
			<input checked="" type="checkbox"/> SP4.1510	<input checked="" type="checkbox"/> SP4.2110			
	B	105	148	210	297	420	594

Dimensions refer to paper dimensions.  
Other formats on demand.

- Plate obtained using «three-way» system frame
- Plate obtained using «strengthened three-way» system frame

	For <b>SMALL</b> structures (frame "SL")	For <b>MEDIUM-BIG</b> structures ("three-way" frame)
graphic ON PAPER	PROTECTION in reflection-free transparent polyester th. 0,5 mm BACKGROUND in 7/10 anodized aluminium	PROTECTION in reflection-free transparent polyester th. 1 mm BACKGROUND in 7/10 anodized aluminium
graphic PERMANENT	BACKGROUND in 7/10 different colours aluminium	BACKGROUND in 12/10 different colours aluminium

Version with:

<input checked="" type="checkbox"/>	graphic on <b>PAPER</b> + front protection + background
<input checked="" type="checkbox"/>	permanent graphic

### REPLACEMENT OF THE PAPER

Removing the upper part of the frame that is snap-mounted to the frame.

### INSTALLATION

To be fixed to the wall/on the ceiling with expansion bolts.

### MATERIALS AND COLOURS

1\_ frame  
in anodized or powder coated aluminium

2\_ corners  
in polycarbonate + abs  
- black 085  
- ash grey 007\*  
- silver RAL 9006

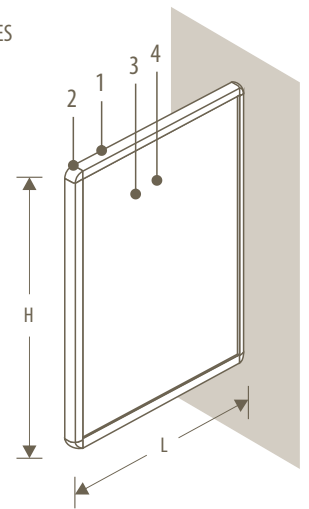
3\_ front protection  
(only for version on paper)  
see picture

4\_ background (see picture)  
in anodized or powder coated aluminium

5\_ suspension kit  
cables in plastified steel  
and suspension clamps  
in chromium-plated brass

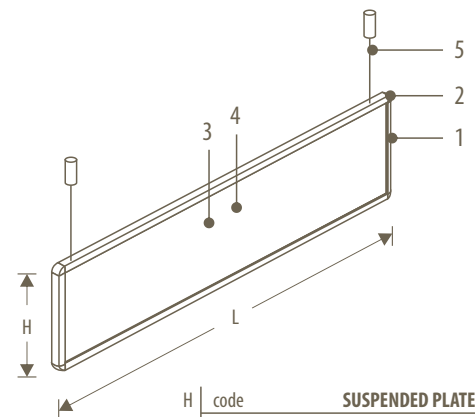
\* not available for «three-way» frame

### DIMENSIONS AND CODES



H	code				FLAG SYSTEM PLATES			
297		<input type="checkbox"/> A4	<input type="checkbox"/>		SP4.BA4	SP4.B3030		
210		<input type="checkbox"/> A5	<input type="checkbox"/>		SP4.BA5	SP4.B2121	SP4.B3021	
148	<input type="checkbox"/> A6	<input type="checkbox"/>	<input type="checkbox"/> A5	<input type="checkbox"/>	SP4.BA6	SP4.B1515	SP4.B2115	
105	<input type="checkbox"/>	<input type="checkbox"/> A6	<input type="checkbox"/>	<input type="checkbox"/>	SP4.B1010	SP4.B1510		
	B	105	148	210	297			

Dimensions refer to paper dimension.  
Other formats on demand.



H	code			SUSPENDED PLATES		
420	SP4.S7042	SP4.S10542	SP4.S12542			
297	SP4.S7030	SP4.S10530	SP4.S12530			
210	SP4.S7021	SP4.S10521	SP4.S12521			
148	SP4.S7015	SP4.S10515	SP4.S12515			
105	SP4.S7010	SP4.S10510	SP4.S12510			
	B	700	1050	1250		

Dimensions refer to paper dimension.  
Other formats on demand.

■ Plate obtained using «three-way» system frame



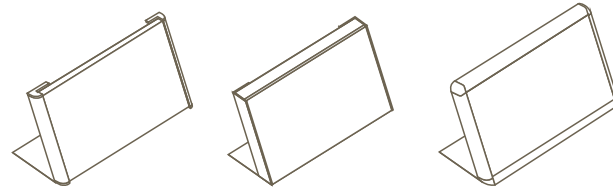
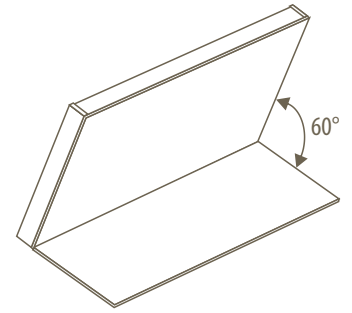
# TABLE SUPPORT

for indoor



## TABLE SUPPORT

A TABLE SUPPORT is available for plates in anodized aluminium.  
Suitable for all flat plates.









## **SHOW FOR OUTDOOR:**

BOOK AND FOLDING OPENING SHOWCASES	70
SUPPORTS FOR SHOWCASES	71

## **SHOW FOR INDOOR:**

BOOK AND FOLDING OPENING SHOWCASES	72
SELF-STANDING SUPPORTS FOR SHOWCASES	73
SLIDING SHOWCASES	74
ECO SLIDING SHOWCASES	75
CLICK SYSTEM SHOWCASES	76

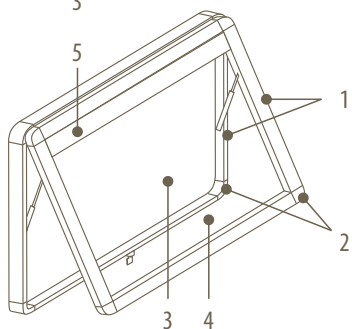
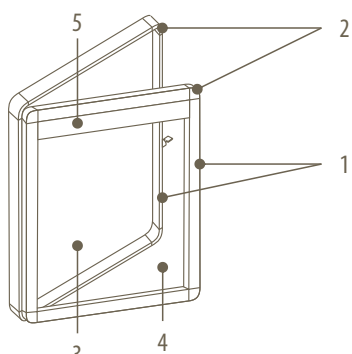
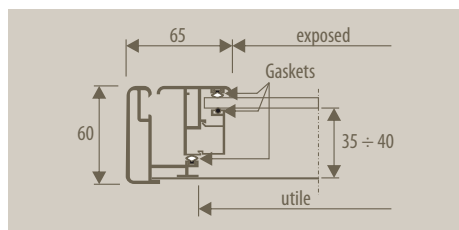
## **EXPO:**

SELF-STANDING DISPLAY STANDS	77
TABLE AND WALL DISPLAY STANDS	80
MULTIPURPOSE BAR	81

# SHOW SHOWCASES FOR OUTDOOR

with book and folding opening

70



## MATERIALS AND COLOURS

- 1\_ profilis  
in powder coated aluminium
- 2\_ corners  
in powder coated aluminium
- 3\_ background
  - in steel (to be used with small magnets\*)
  - white
  - silver RAL 9006
  - black
  - in cork-rubber (to be used with pins)
  - in aluminium (for vinylic permanent graphic)
- 4\_ protection
  - in plexiglass th. 6 mm
  - in polycarbonate th. 6 mm
  - in stratified glass th. 3 + 3 mm
- 5\_ front sheet h. 100 mm  
in vinylic film  
(necessary when lighting system  
is inserted)

## DIMENSIONS AND CODES

BOOK opening	B	H	code
	350	450	BE4.3545L
	450	350	BE4.4535L
	500	750	BE4.5075L
	750	500	BE4.7550L
		1000	BE4.75100L
		1250	BE4.75125L
	1000	1000	BE4.100100L
	1250	1250	BE4.100125L

FOLDING opening	B	H	code
	1000	750	BE4.10075W
		1000	BE4.100100W
	1250	750	BE4.12575W
		1000	BE4.125100W
	1500	1000	BE4.150100W
	1750	1000	BE4.175100W
	2000	1000	BE4.200100W

Dimensions are nominal  
Other formats on demand

EXPOSED = nominal - 30 mm  
UTILE = nominal + 10 mm  
TOT = nominal + 100 mm



## LIGHTING SYSTEM

Internal lighting system possible with low tension LED system.

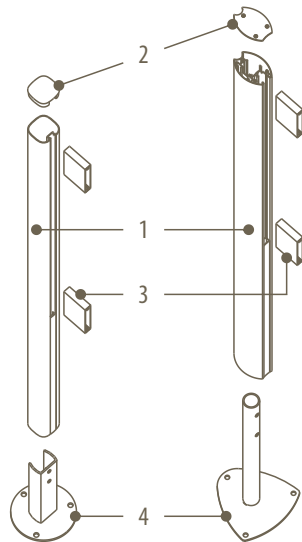
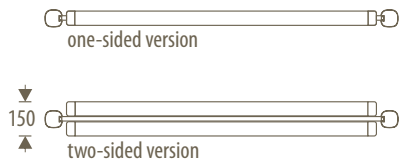
## INSTALLATION

- Wall mounted, to be fixed with expansion bolts.
- On supports for the ground.

The showcases have a cylindrical lock and a black anodized aluminium hinges. The opening is made easier by the use of two gas springs for the folding showcases.

\* Showcases up to 1000x1000 mm size are supplied with 10 magnets; 20 magnets are supplied for bigger showcases.



For the one-sided version the window is fixed directly on the post by using the connection whereas for the two-sided version the windows are fixed on the post connecting crossbars.



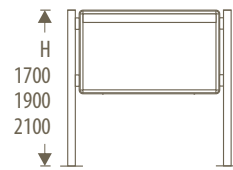
## MATERIALS AND COLOURS

- 1\_ uprights  
in aluminium  
- powder coated (mod. A)  
- anodized (mod. B)
- 2\_ caps  
in black nylon (mod. A)  
in anodized aluminium (mod. B)
- 3\_ connections and crossbars  
in anodized or powder coated aluminium
- 4\_ base  
in zinc steel

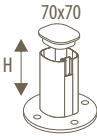
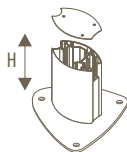
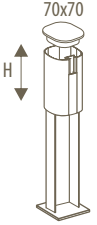
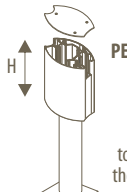
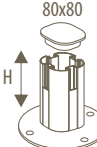
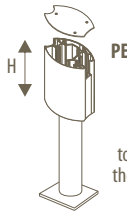
## INSTALLATION

-  Flat base to be fixed to the plinth in cement through expansion bolts.
-  Clutch to be put on the plinth in cement.

## DIMENSIONS AND CODES



SUPPORT complete (showcase excluded)

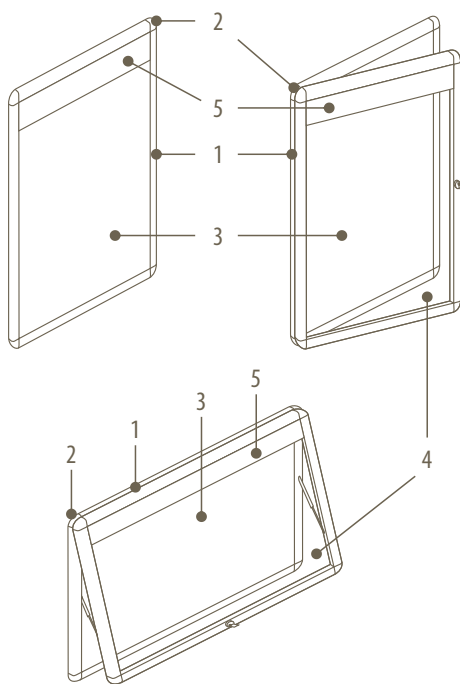
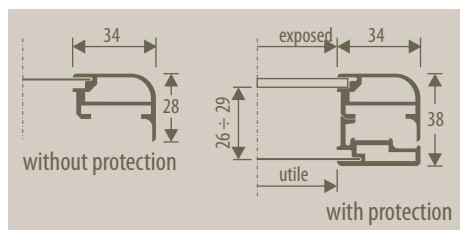
mod. A	code	mod. B	code
	PE4.70		PE4.94
	PE4.70IN		PE4.94IN
	PE4.80		Clutch to put on the plinth



# SHOW SHOWCASES FOR INDOOR

with book and folding opening

72

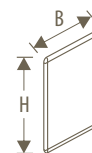


## MATERIALS AND COLOURS

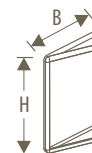
- 1\_ \_profil  
in anodized or powder coated aluminium
- 2\_ \_corners  
in nylon  
- silver RAL 9006  
- ashgrey 007  
- black
- 3\_ \_background  
- in steel (to be used with small magnets\*)  
- white  
- silver RAL 9006  
- black  
- in cork-rubber (to be used with pins)  
- in aluminium (for permanent vinylic graphic)
- 4\_ \_protection  
- in plexiglass th. 6 mm  
- in polycarbonate th. 6 mm
- 5\_ \_front sheet h. 100 mm  
in vinylic film  
(necessary when lighting system is inserted)

## DIMENSIONS AND CODES

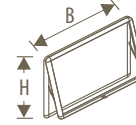
WITHOUT PROTECTION	B	H	code
	400	500	BA4.4050S
	500	400	BA4.5040S
		750	BA4.5075S
	750	500	BA4.7550S
		750	BA4.7575S
		1000	BA4.75100S
	1000	750	BA4.10075S
		1000	BA4.100100S
	1250	1000	BA4.125100S
	1500	1000	BA4.150100S
	1750	1000	BA4.175100S



BOOK OPENING	B	H	code
	400	500	BA4.4050L
	500	400	BA4.5040L
		750	BA4.5075L
	750	500	BA4.7550L
		750	BA4.7575L
		1000	BA4.75100L
	1000	1000	BA4.100100L

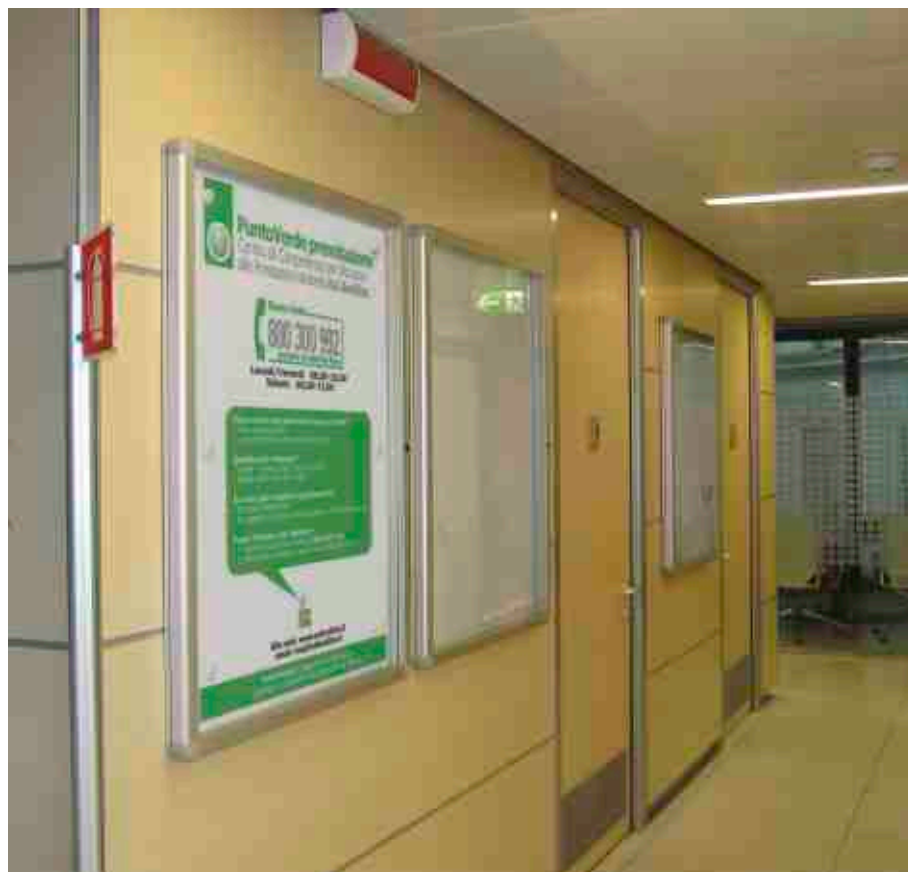


FOLDING OPENING	B	H	code
	1000	750	BA4.10075W
		1000	BA4.100100W
	1250	1000	BA4.125100W
	1500	1000	BA4.150100W
	1750	1000	BA4.175100W



Dimensions are nominal.  
Other formats on demand.

EXPOSED = UTILE = nominal - 10 mm  
TOT = nominal + 58 mm



## LIGHTING SYSTEM

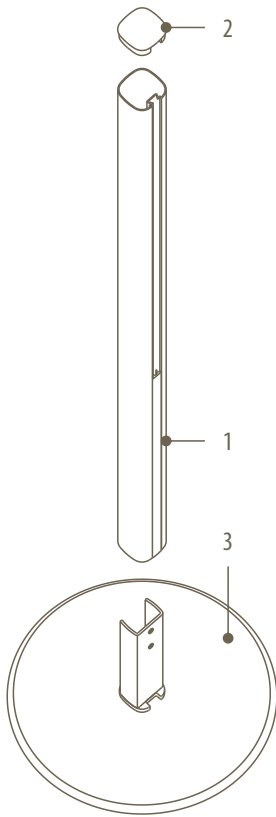
Internal lighting system possible with low tension LED system.

## INSTALLATION

- Wall mounted, to be fixed with expansion bolts.
- On supports for the ground.

The showcases have a cylindrical lock and a black anodized aluminium hinges.  
The opening is made easier by the use of two gas springs for the folding showcases.

\* Showcases up to 1000x1000 mm size are supplied with 10 magnets; 20 magnets are supplied for bigger showcases.



## MATERIALS AND COLOURS

1\_ uprights  
in powder coated aluminium

2\_ caps  
in black nylon

3\_a self-standing round base Ø 440 mm  
in powder coated steel  
- texturized anthracite  
- texturized silver

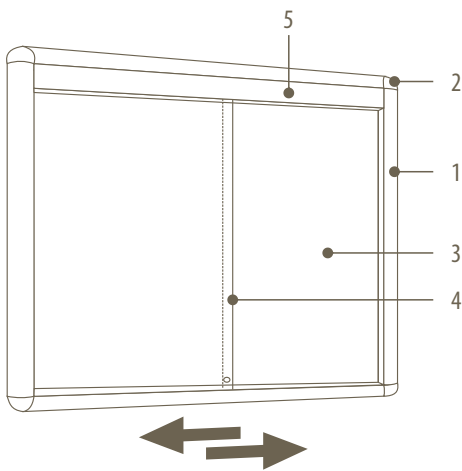
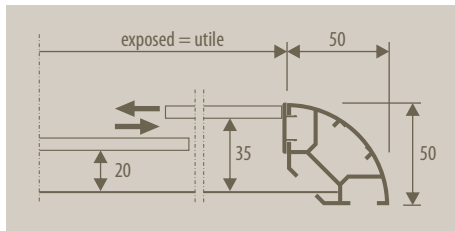
3\_b self-standing shaped base  
in zinc plated steel and covered upper  
with aluminium

These supports can prop up a single or two  
opposing showcases.  
Where a higher stability is required an additional  
disappearing ballasting zinc plated plate is available  
for round plates only.  
Other heights on demand.

## DIMENSIONS AND CODES

SUPPORT complete (showcase excluded)		code
		<b>PI4.440</b>
		<b>PI4.441</b>
		<b>PI4.442</b>
		<b>PI4.443</b>
		<b>PI4.701</b>
		<b>PI4.900</b>
		<b>PI4.901</b>

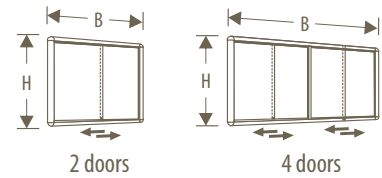




## MATERIALS AND COLOURS

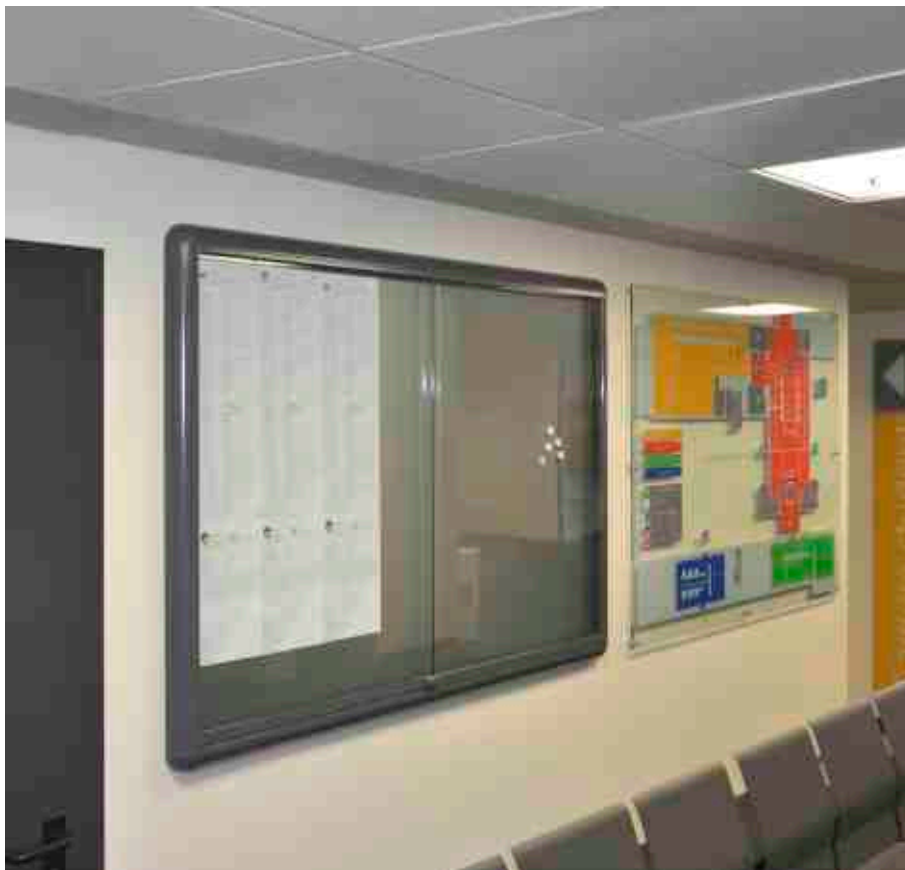
- 1\_ profilis  
in powder coated aluminium
- 2\_ corners  
in powder coated aluminium
- 3\_ background
  - in steel (to be used with small magnets\*)
  - white
  - silver RAL 9006
  - black
  - in cork-rubber (to be used with pins)
  - in aluminium (for vinylic permanent graphic)
- 4\_ protection  
in stratified glass th. 3 + 3 mm
- 5\_ front sheet h. 100 mm  
in extruded aluminium  
(necessary when lighting system is inserted)

## DIMENSIONS AND CODES



	B	H	code
2 ante	1150	750	BS4.11575
		900	BS4.11590
2 o 4 ante	1400	900	BS4.115115
		1150	BS4.140115
2 o 4 ante	1700	900	BS4.17090
		1150	BS4.170115
4 ante	2000	900	BS4.20090
		1150	BS4.200115
	2500	900	BS4.25090
		1150	BS4.250115

Measures refer to external space  
Others dimensions available on demand



## LIGHTING SYSTEM

Internal lighting system possible with low tension LED system.

## INSTALLATION

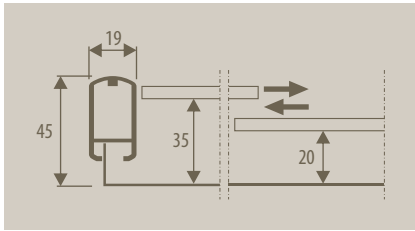
To be fixed to the wall with expansion bolts.

To protect the displayed messages from tampering the showcases have a cylindrical lock.

The sliding door opening is made easier by the use of tracks with rollers  $\varnothing 13$ , also for big size.

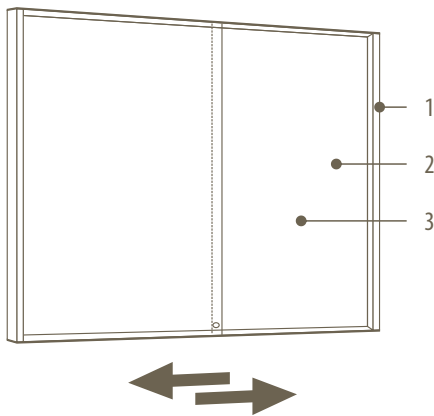
\* Showcases up to 1000x1000 mm size are supplied with 10 magnets; 20 magnets are supplied for bigger showcases.





## MATERIALS AND COLOURS

- 1\_ external structure  
in powder coated aluminium
- 2\_ background
  - in steel (to be used with small magnets\*)
  - white
  - silver RAL 9006
  - black
  - in cork-rubber (to be used with pins)
- 3\_ protection  
in plexiglass th. 6 mm



## DIMENSIONS AND CODES

	B	H	code
	1000	750	BS4.E10075
		1000	BS4.E100100
	1250	750	BS4.E12575
		1000	BS4.E125100
	1500	750	BS4.E15075
		1000	BS4.E150100
	1750	750	BS4.E17575
		1000	BS4.E175100
	2000	750	BS4.E20075
		1000	BS4.E200100

Measures refer to external space  
Others dimensions available on demand

## INSTALLATION

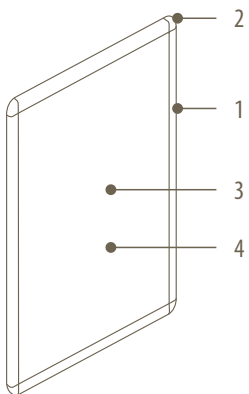
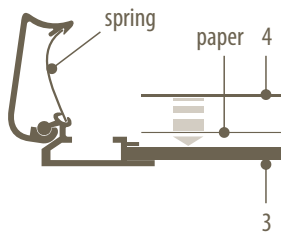
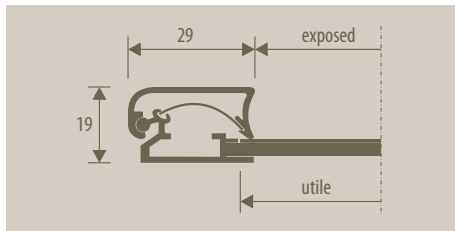
To be fixed to the wall through expansion bolts



To protect the displayed messages from tampering the showcases have a cylindrical lock.

The sliding door opening is made easier by the use of tracks with rollers  $\varnothing 13$ , also for big size.

\* Showcases up to 1000x1000 mm size are supplied with 10 magnets; 20 magnets are supplied for bigger showcases.



It is the best solution for interchangeable graphics on paper (such as planimetries and evacuation plans).

The opening is made easier by the use of harmonic steel blades.

#### MATERIALS AND COLOURS

- 1\_ profilis  
in anodized or powder coated aluminium
- 2\_ corners  
in nylon  
- silver RAL 9006  
- black
- 3\_ background  
- in semifoam PVC (Forex) th. 3 mm  
- in Dibond th. 3 mm  
(only for big size showcases)
- 4\_ protection  
in transparent polyester  
reflection-free (PETG) th. 1 mm

#### DIMENSIONS AND CODES

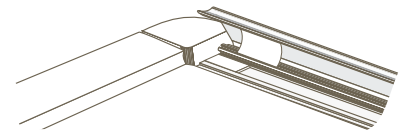
	UNI	B	H	code
	A4	210	297	BA4.A4SC
	A3	297	420	BA4.A3SC
	A2	420	594	BA4.A2SC
	A1	597	840	BA4.A1SC
		500	700	BA4.5070SC
		700	1000	BA4.70100SC
	1000	1400	BA4.100140SC	

Measures refer to the usable internal space

Other dimensions available on request

EXPOSED = UTILE - 6

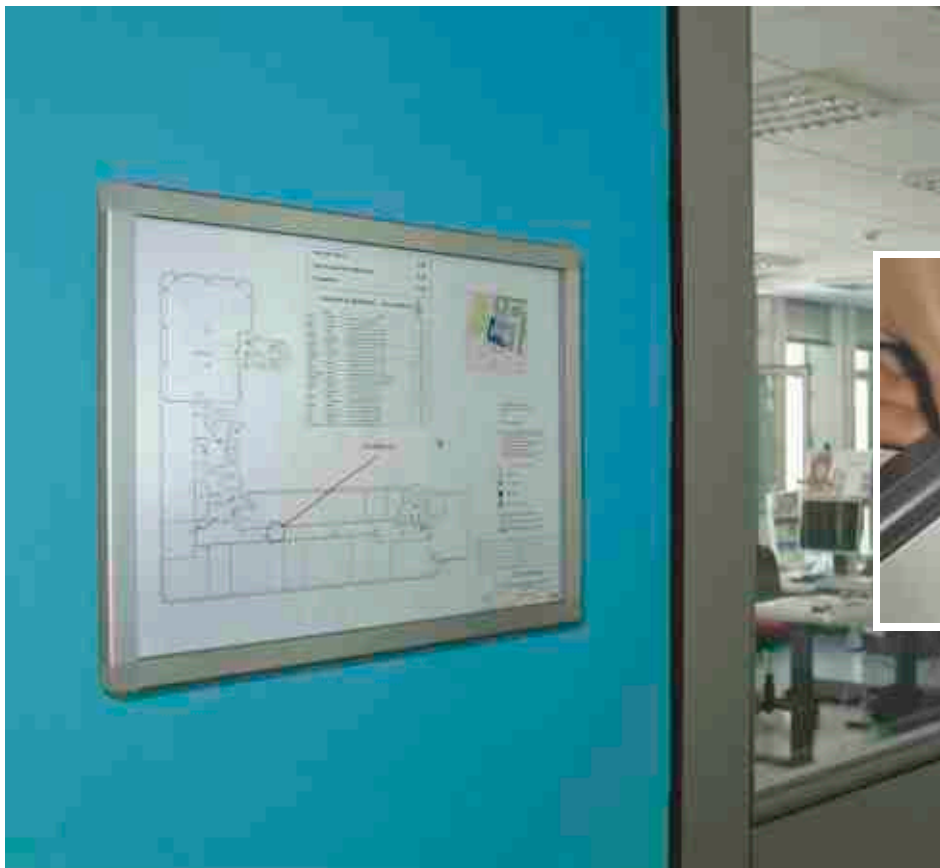
TOT = UTILE + 52



#### INSTALLATION

To be fixed to the wall with:

- expansion bolts
- double-sided tape



## MATERIALS AND COLOURS

1\_a panelling  
in aluminium silver RAL 9006

1\_b panelling  
in satinized plexiglass

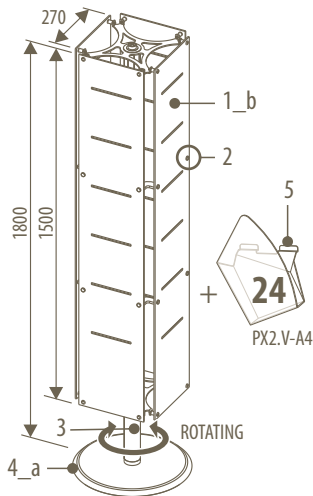
2\_ chromium-plated spacers  
(only with panelling 1\_b)

3\_ structure  
in anodized aluminium

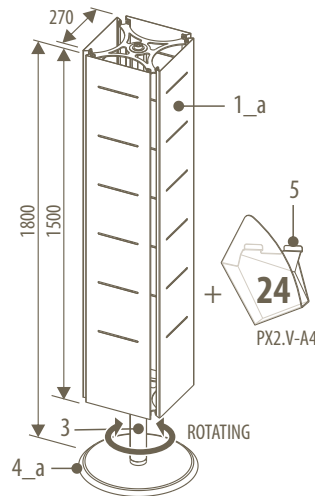
4\_a self-standing round base  
in texturized silver steel

4\_b self-standing shaped  
base in zinc steel  
and covered upper  
with anodized aluminium

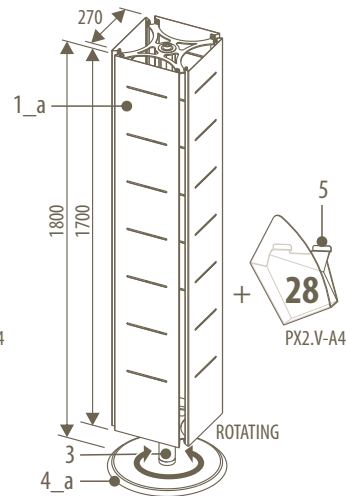
5\_ brochure holders in  
transparent plexiglass



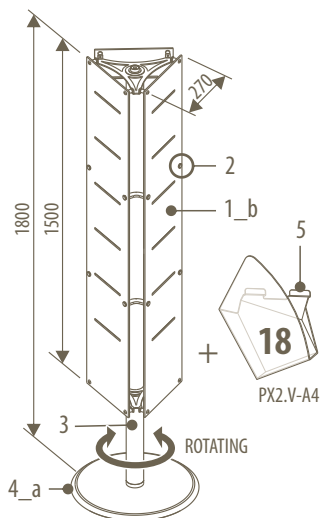
**QUADRISATIN**  
EX4.PX4-24.150



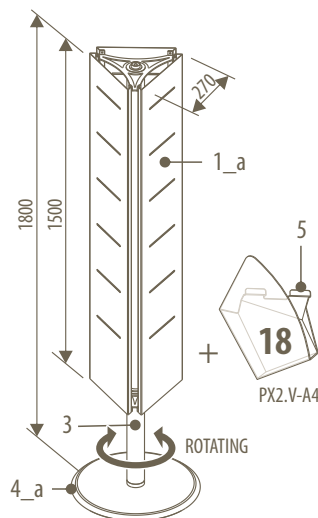
**QUADRISILVER**  
EX4.AL4-24.150



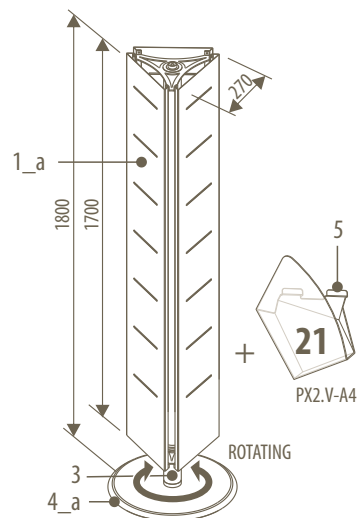
**QUADRISILVER**  
EX4.AL4-28.170



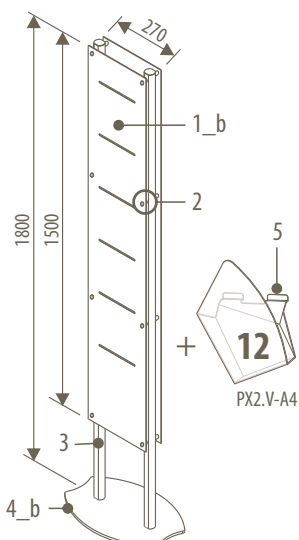
**TRISATIN**  
EX4.PX3-18.150



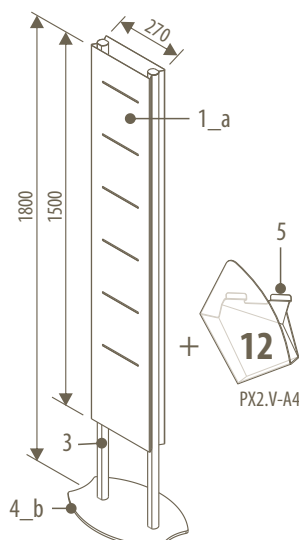
**TRISILVER**  
EX4.AL3-18.150



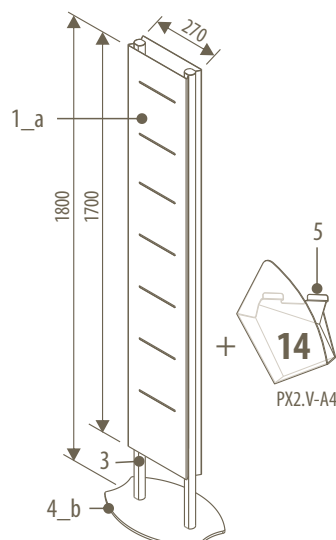
**TRISILVER**  
EX4.AL3-21.170



**BISATIN**  
EX4.PX2-12.150



**BISILVER**  
EX4.AL2-12.150



**BISILVER**  
EX4.AL2-14.170



## MATERIALS AND COLOURS

- 1\_ structure  
in anodized aluminium
- 2\_a base with wheels  
in texturized silver steel
- 2\_b base with non-slip feet  
in texturized silver steel
- 3\_a panelling  
in texturized silver microperforated iron
- 3\_b panelling  
in cork-rubber
- 3\_c poster holder  
in transparent plexiglass
- 4\_ header front sheet  
h. 100 mm in aluminium
- 5\_ clamps  
in anodized aluminium
- 6\_ depliant holder  
in transparent plexiglass



### MICROFORO magnetic

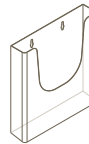
		h	L tot.	V
EX4.F2-60180	on feet	1840	600	537
EX4.F2-60180R	on wheels	1894	600	537
EX4.F2-75180	on feet	1840	750	687
EX4.F2-75180R	on wheels	1894	750	687



### MICROFORO brochure holder

MICROFORO magnetic can be accessorized with brochures holder pockets using one side or two.

Available brochure holder:  
PX2.PDP-A4, PX2.PDP-A5, PX2.PDP-1.3A4  
Each panel can house a maximum of 10 holders  
A4 format. If a smaller format is chosen more holders  
can be housed.



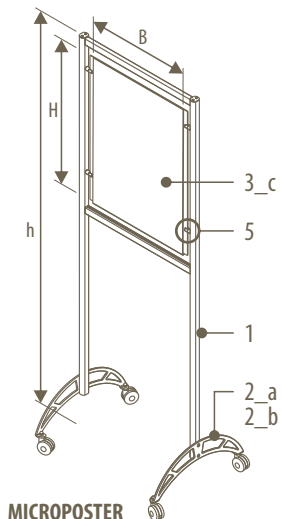
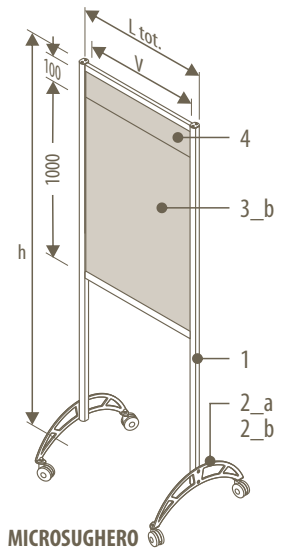
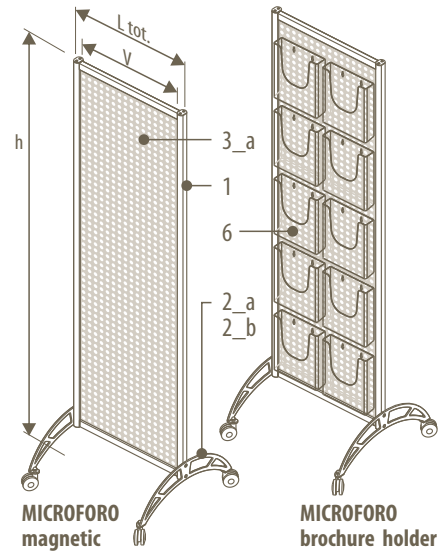
### MICROSUGHERO

		h		L tot.	V
EX4.S1-60180	on feet	1840	one-sided	600	537
EX4.S1-60180R	on wheels	1894	one-sided	600	537
EX4.S2-60180	on feet	1840	two-sided	600	537
EX4.S2-60180R	on wheels	1894	two-sided	600	537
EX4.S1-75180	on feet	1840	one-sided	750	687
EX4.S1-75180R	on wheels	1894	one-sided	750	687
EX4.S2-75180	on feet	1840	two-sided	750	687
EX4.S2-75180R	on wheels	1894	two-sided	750	687



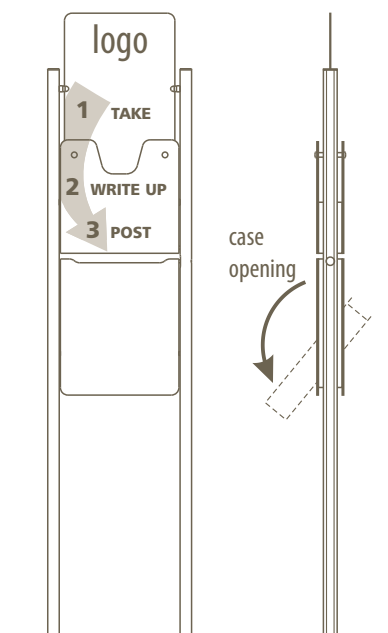
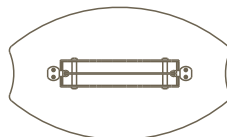
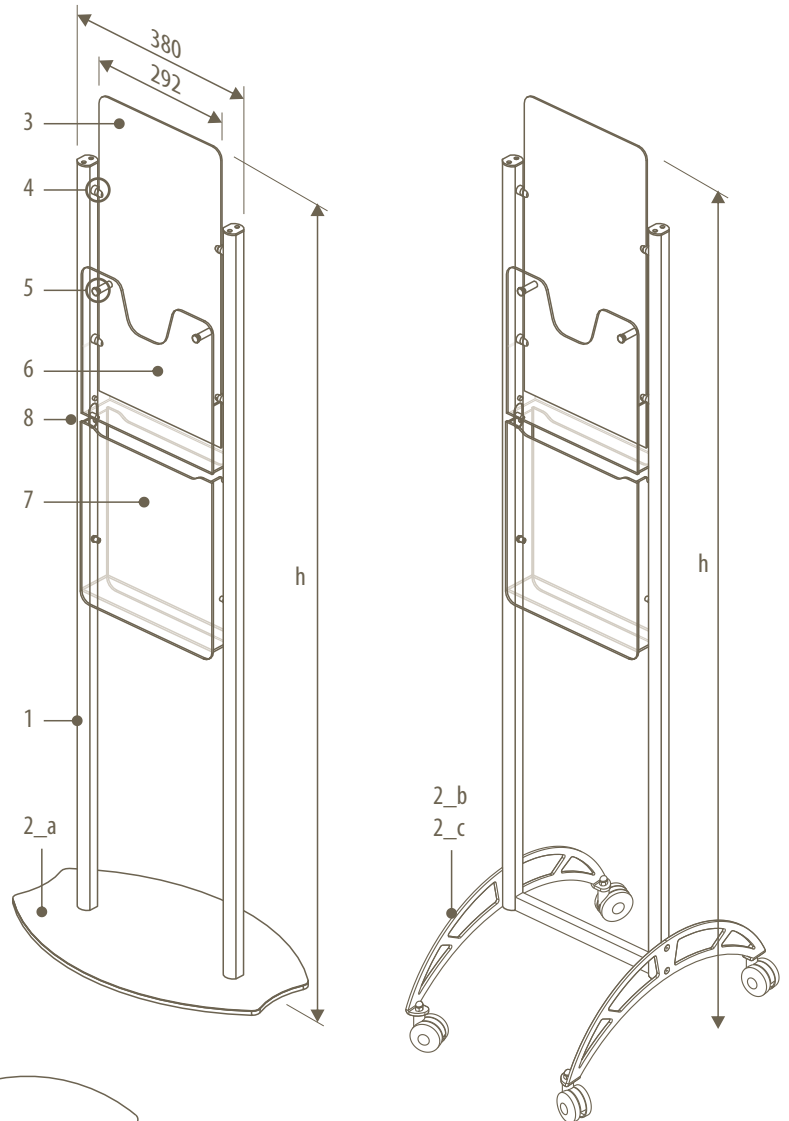
### MICROPOSTER

		h	poster (B x H)
EX4.P-5070	on feet	1840	500 x 700
EX4.P-5070R	on wheels	1894	500 x 700
EX4.P-70100	on feet	1840	700 x 1000
EX4.P-70100R	on wheels	1894	700 x 1000



## MATERIALS AND COLOURS

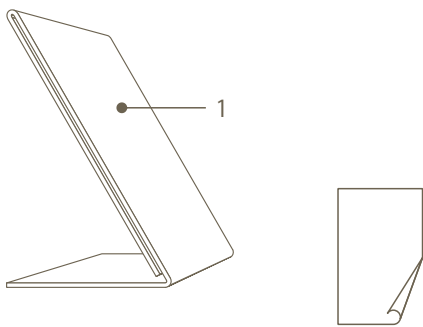
- 1\_ structure  
in anodized aluminium
- 2\_a self-standing shaped base  
in zinc steel and  
covered upper  
with anodized aluminium
- 2\_b base with wheels  
in texturized silver steel
- 2\_c base with anti-slip feet  
in texturized silver steel
- 3\_ panelling in dibond  
personalizable with graphic
- 4\_ clamps  
in anodized aluminium
- 5\_ chromium-plated pins
- 6\_ two-sided holder  
for tests to write up  
in transparent plexiglass
- 7\_ case to post  
tests written up  
in satinized plexiglass
- 8\_ lock with steel key



TAKE-WRITE UP-POST		h	sheets	
EX4.PCI-B	with base	1650		
EX4.PCI-R	on wheels	1820	two-sided	A4 vertical
EX4.PCI-P	on feet	1766		

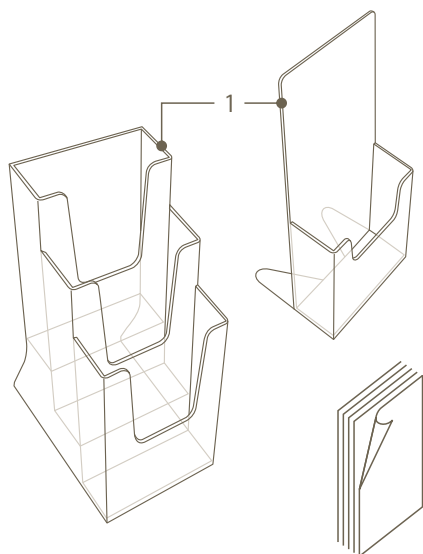
## MATERIALS AND COLOURS

- 1\_ displaystand in transparent acrylic
- 2\_ support in satinized acrylic
- 3\_ chromium-plated pins



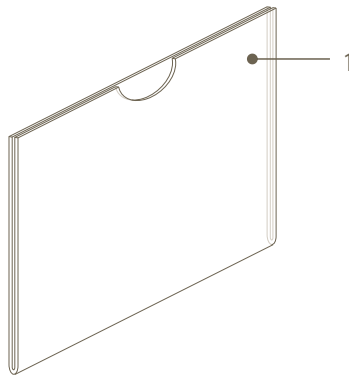
**Table NOTICE HOLDER**

PX2.PA-A4V	A4 vertical
PX2.PA-A4Z	A4 horizontal
PX2.PA-A5V	A5 vertical
PX2.PA-A5Z	A5 horizontal



**Table BROCHURE HOLDER**

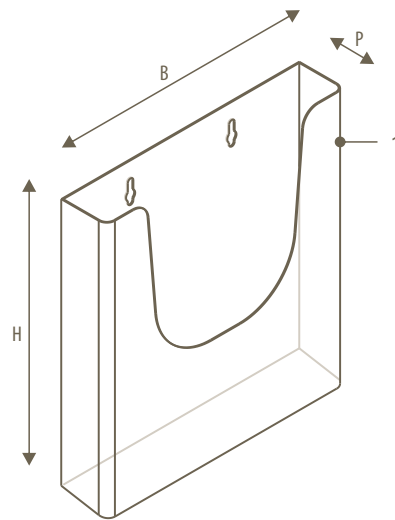
		slot
PX2.PDT-1.A4	A4 vertical	1 slot
PX2.PDT-3.A4	A4 vertical	3 slots
PX2.PDT-1.A5	A5 vertical	1 slot
PX2.PDT-1.1/3A4	1/3 A4 vertical	1 slot
PX2.PDT-3.1/3A4	1/3 A4 vertical	3 slots



**Wall notice HOLDER**

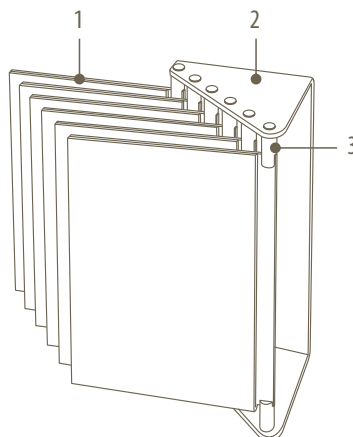
PX2.PAP-A4V	A4 vertical
PX2.PAP-A4Z	A4 horizontal
PX2.PAP-A5V	A5 vertical
PX2.PAP-A5Z	A5 horizontal

to fix with bihadesive



**Wall BROCHURE HOLDER**

		inside capacity			external sizes		
		B	H	P	B	H	P
PX2.PDP-A4	A4 vertical	234	234	39	238	236	43
PX2.PDP-A5	A5 vertical	154	151	37	158	153	41
PX2.PDP-1.3A4	1/3 A4 vertical	110	132	37	114	134	41

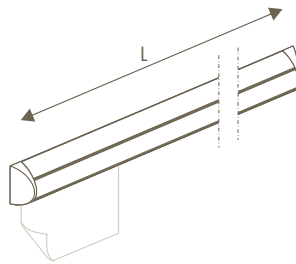


**Book opening NOTICE HOLDER**

EX4.L6-A4	A4 vertical	6 pockets
-----------	-------------	-----------

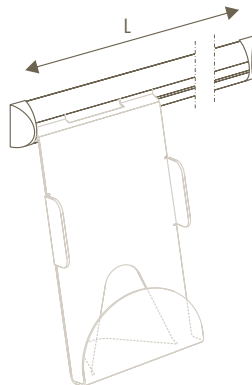
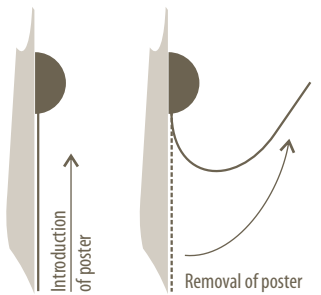
## MATERIALS AND COLOURS

- 1\_ bar  
in anodized aluminium
- 2\_ end cap  
in transparent polycarbonate
- 3\_ front closure  
(used only on poster holding bar)  
in transparent polycarbonate
- 4\_ ribbed bar  
(used only on poster holding bar)  
in anodized aluminium
- 5\_ accessories  
(used only on accessories holding bar)  
in transparent plexiglass



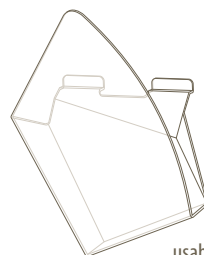
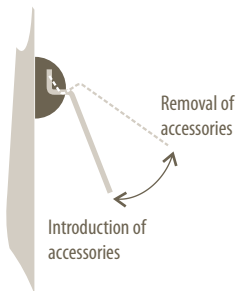
## POSTER HOLDING BAR

	L
EX4.B500	500
EX4.B750	750
EX4.B1000	1000
EX4.B1500	1500
EX4.B2000	2000
EX4.B3000	3000



## ACCESSORIES HOLDING BAR

	L
PX4.B500	500
PX4.B750	750
PX4.B1000	1000
PX4.B1500	1500
PX4.B2000	2000
PX4.B3000	3000

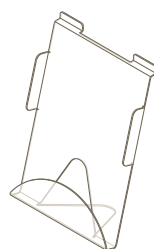


## DEPLIANT HOLDER

PX2.V-A4	A4 vertical
PX2.V-A4/D	partition to be put in PX2.V-A4 to create two slots for brochure 1/3 A4 format

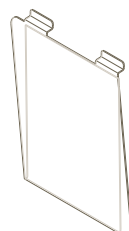
Quantity of PX2.V-A4 usable with the accessories holding bar

L bars	SUGGESTED quantity (pockets are spaced one from the other)	MAXIMUM quantity (pockets are closely in contact)
500	2	2
750	3	3
1000	4	5
1500	6	7
2000	8	10
3000	12	15



## DEPLIANT HOLDER

PX2.E-A4	A4 vertical
PX2.E-A5	A5 vertical
PX2.E-1.3A4	1/3 A4 vertical

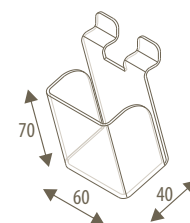
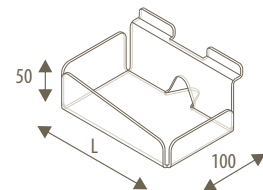


## SHEETS HOLDER

PX2.PV-A2	A2 vertical
PX2.PO-A2	A2 horizontal
PX2.PV-A3	A3 vertical
PX2.PO-A3	A3 horizontal
PX2.PV-A4	A4 vertical
PX2.PO-A4	A4 horizontal
PX2.PV-A5	A5 vertical
PX2.PO-A5	A5 horizontal

## OBJECTS HOLDER

	L
PX2.V0	300
PX2.V	150



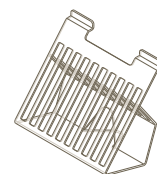
## PEN HOLDER

PX2.VV



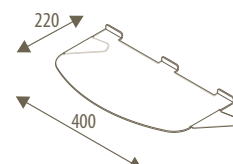
## VISITING CARDS HOLDER

PX2.PB



## CD HOLDER

PX2.PCD for 10 cd



## SHELF

PX2.R





SINGLE POST FOR FIRE EXTINGUISHER

84

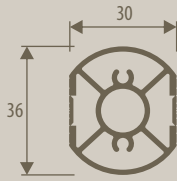
SAFETY SIGNAGE

85

# SAFETY

# SINGLE POST for FIRE EXTINGUISHER

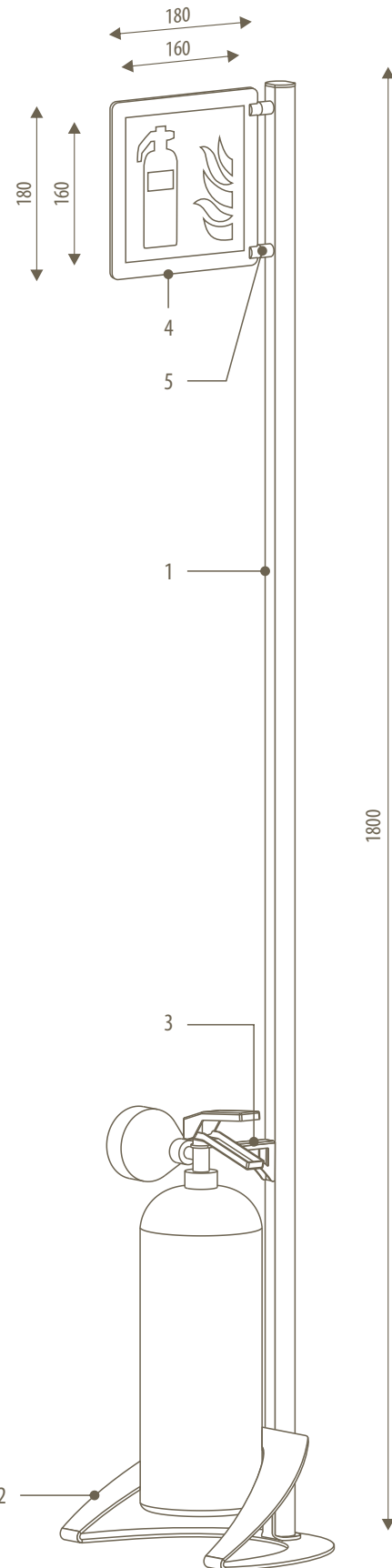
for indoor



upright 36

## MATERIALS AND COLOURS

- 1\_ upright 36  
in anodized aluminium  
with satinized acrylic end caps
- 2\_ self-standing base  
in silver texturized steel
- 3\_ hook for fire extinguisher  
in silver texturized steel
- 4\_ plate th. 4 mm  
in transparent plexiglass  
with fire extinguisher pictogram  
printed (on the two sides)
- 5\_ anodized aluminium  
clamps



**SL4.EX36**  
(fire extinguisher not included)





## SIGN ON SHEET

Pictograms (conform to European regulation EN ISO 7010/2012) screen printed on aluminium sheet (5/10 or 7/10) powder coated or covered with luminescent film

LA	reading distance	B x H
aluminium sheet	6	166 x 166
 wall mounted	10	270 x 270
	4	350 x 125
 two sided flag system	4	lato 140
	6	lato 210
 two sided flag system	4	350 x 125
	6	300 x 200
 two sided flag system	6	500 x 333
	10	160 x 160
 two sided flag system	10	250 x 250
	10	250 x 310
 two sided flag system	6	300 x 160
	6	440 x 160
 two sided flag system	10	250 x 250
	10	250 x 330

## SAFETY PLATES

(sign inserted in a plate)

reading distance	B x H	SL on Speed support	VL on Vela support	EL on Elix NF support	SH onSegno light support	AQ on Aqua support
6	148 x 148					
9	210 x 210	see pages 64-65	see pages 46-47	see page 54	see pages 62 - 63	see page 56
4	297 x 105					
6	420 x 148					

Wall mounted and two sided flag system version also available. These are formats we suggest to adopt, however it is possible to choose among all plates in our catalog.

## EVACUATION PLANS

format (B x H)	SL Speed plate	EL Elix plate	BA Clic showcase
A4 vertical	SP4.A4	EL4.2130	BA4.A4SC
horizontal	SP4.3021		
A3 vertical	SP4.A3	EL4.3030	BA4.A3SC
horizontal	SP4.4230		
A2 vertical	SP4.A2	EL4.4260-T	BA4.A2SC
horizontal	SP4.6042		
Available also in others formats.	see page 64	see page 50	see page 76

