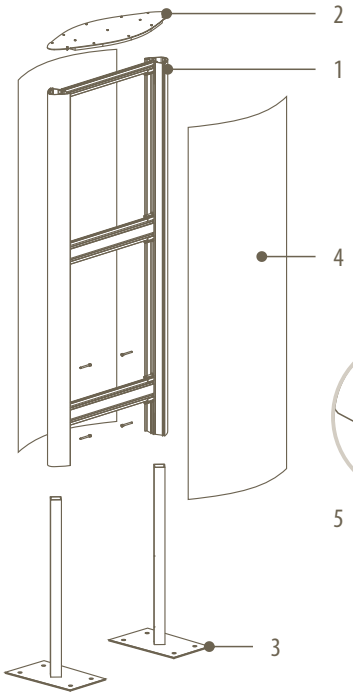
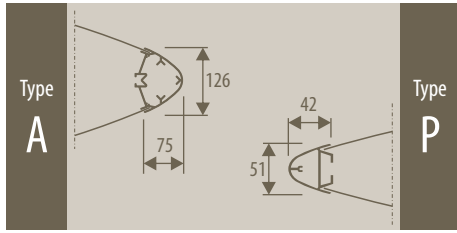


TOTEM CONVEXES (type A - P - G)	08
TOTEM FLAT (type B - N - M -S)	10
TOTEM TRIANGULAR (type D)	12
TOTEM SQUARE SECTION (type E)	13
TOTEM FLAG SYSTEM CONVEXES (type L)	14
TOTEM FLAG SYSTEM FLAT (type R)	15
TOTEM HORIZONTAL (type Z)	16
DRIVE 40 - 70 - 80	17
DRIVE 94	18
DRIVE SINGLE POST 70 - 80	20
DRIVE SINGLE POST 94	21
DRIVE SINGLE POST 100	22
WIDE SINGLE POST	23
BOX PLATES	24
ILLUMINATED BOXES	25

STRUCTURES FOR OUTDOOR

TOTEM CONVEXES

for outdoor



MATERIALS AND COLOURS

- 1_ uprights
in powder coated aluminium
- 2_ top cap in Dibond
(aluminium composite sheets) colour silver
- 3_a flat base (+ a possible plate anchored to the ground)
in zinc steel
- 3_b raised base (+ a possible plate anchored to the ground)
in powder coated zinc steel
- texturized anthracite
- texturized silver
- 3_c self-standing ballasted base
in powder coated zinc steel
- texturized anthracite
- texturized silver
- 4_ panelling
- in aluminium
- in Dibond (aluminium composite sheets)
- in opaline plexiglas (for totem with lighting system)
- 5_ junction profile
in aluminium
For heights over 3 meters or in case of combination of different materials panels.

LIGHTING SYSTEM

Internal lighting system possible with low tension LED system.

DIMENSIONS AND CODES

H	code		Type A
5000			TM4.A120500
4300			TM4.A120430
3200			TM4.A90320 TM4.A120320
2500	TM4.A60250	TM4.A90250	
2100	TM4.A60210	TM4.A90210	
L	786	1086	1386

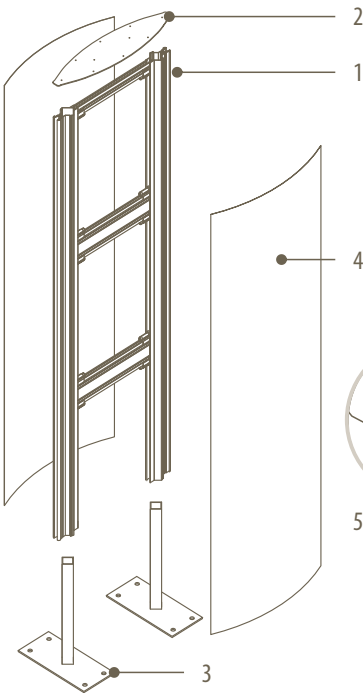
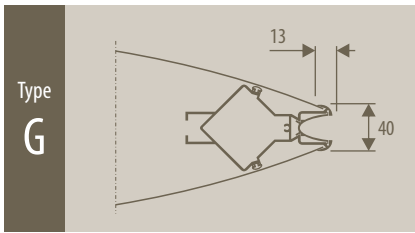
- Raised base not available
- Self-standing base not available

H	code		Type P
2500			TM4.P60250
2100	TM4.P45210	TM4.P60210	
1800	TM4.P45180	TM4.P60180	
1600	TM4.P45160		
L	538	688	

INSTALLATION

- Flat or raised base
to be fixed to the plinth in cement through expansion bolts.
- Flat or raised base
to be fixed to the plate anchored to the ground.
- Self-standing base.





MATERIALS AND COLOURS

- 1_ uprights
in anodized aluminium
- 2_ top cap in Dibond
(aluminium composite sheets) colour silver

+ 3_a flat base (+ a possible plate anchored to the ground)
in zinc plated steel

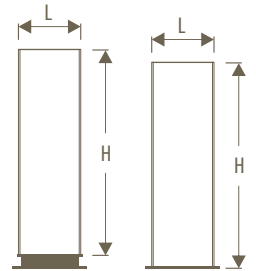
+ 3_b raised base (+ a possible plate anchored to the ground)
in powder coated zinc plated steel
- texturized anthracite
- texturized silver

3_c self-standing ballasted base
in powder coated zinc plated steel
- texturized anthracite
- texturized silver

- 4_ panelling
- in aluminium
- in Dibond (aluminium composite sheets)

5_ junction profile
in aluminium
For heights over 3 meters or in case of combination of different materials panels.

DIMENSIONS AND CODES



H	code			
3200		TM4.G71320	TM4.G86320	
2500		TM4.G56250	TM4.G71250	TM4.G86250
2100	TM4.G41210	TM4.G56210	TM4.G71210	TM4.G86210
1800	TM4.G41180	TM4.G56180		
1600	TM4.G41160			
L	404	554	704	854

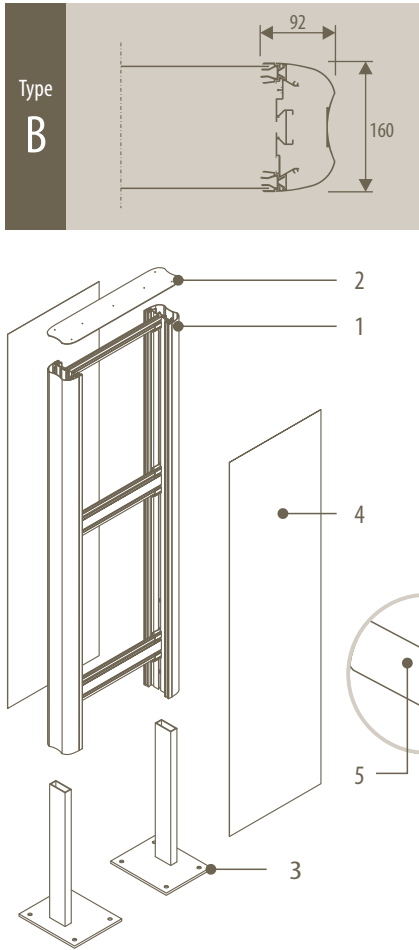
INSTALLATION

Flat or raised base to be fixed to the plinth in cement through expansion bolts.

Flat or raised base to be fixed to the plate anchored to the ground.

Self-standing base.





MATERIALS AND COLOURS

1_ uprights
in powder coated aluminium

2_ top cap in Dibond
(aluminium composite sheets) colour silver

+ 3_a flat base (+ a possible plate anchored to the ground)
in zinc plated steel

+ 3_b raised base (+ a possible plate anchored to the ground)
in powder coated zinc steel
- texturized anthracite
- texturized silver

3_c self-standing ballasted base
in powder coated zinc steel
- texturized anthracite
- texturized silver

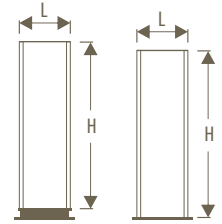
4_ panelling
- in aluminium
- in Dibond (aluminium composite sheets)
- in opaline plexiglas (for totems with lighting system)

5_ junction profile
in aluminium
For heights over 3 meters or in case of combination of different materials panels.

LIGHTING SYSTEM

Internal lighting system possible with low tension LED system.

DIMENSIONS AND CODES



H	code	
5000	TM4.B120500	
4300	TM4.B90430	TM4.B120430
3200	TM4.B90320	TM4.B120320
2500	TM4.B60250	TM4.B90250
2100	TM4.B60210	TM4.B90210
L	748	1048 1348

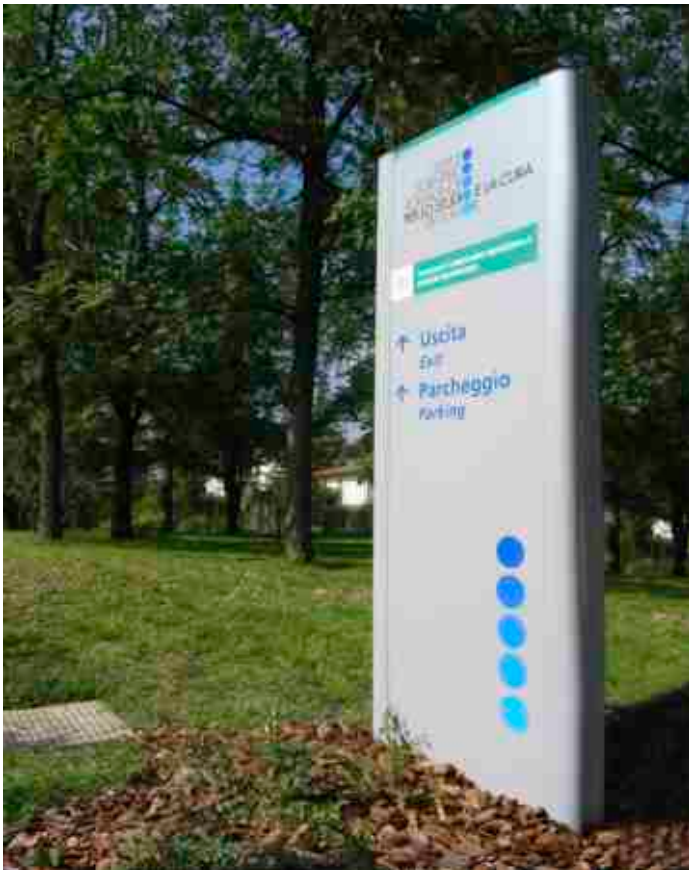
Raised base not available
 Self-standing base not available

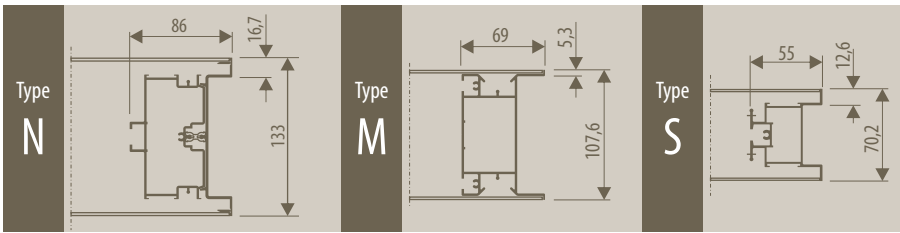
INSTALLATION

Flat or raised base
to be fixed to the plinth in cement through expansion bolts.

+ Flat or raised base
to be fixed to the plate anchored to the ground.

Self-standing base.





MATERIALS AND COLOURS

1_ uprights
in anodized aluminium

2_ top cap in Dibond
(aluminium composite sheets) colour silver

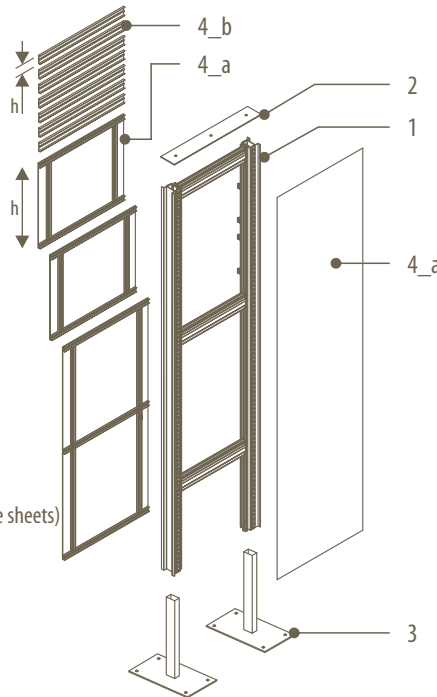
+ 3_a flat base (+ a possible plate anchored
in zinc coated steel to the ground)

+ 3_b raised base (+ a possible plate anchored
in powder coated zinc coated steel to the ground)
- texturized anthracite
- texturized silver

3_c self-standing ballasted base
in powder coated zinc coated steel
- texturized anthracite
- texturized silver

4_a panelling in Dibond (aluminium composite sheets)
with joining crossbars on the back
in aluminium minimum h 100 mm
For heights over 3 meters the panelling must be divided.

4_b panelling (available only for N and S)
with module in powder coated aluminium
h = 20, 40, 60, 80, 120, 160 mm



DIMENSIONS AND CODES

PERSONALIZATION

It is possible to combine different totems among them creating supplements.

INSTALLATION

Flat or raised base to be fixed to the plinth in cement through expansion bolts. (available for N, M and S)

Flat or raised base to be fixed to the plate anchored to the ground. (available only for N)

Self-standing base. (available N, M and S)

H	code				Type N	
6400	TM4.N100640					
5000	TM4.N100500					
4300	TM4.N75430	TM4.N100430				
3200	TM4.N50320	TM4.N75320	TM4.N100320	TM4.N150320		
2500	TM4.N50250	TM4.N75250	TM4.N100250			
2100	TM4.N50210	TM4.N75210	TM4.N100210	TM4.N150210		
1800	TM4.N50180	TM4.N75180				
1600	TM4.N50160					
1500			TM4.N150150	TM4.N200150		
1000			TM4.N150100	TM4.N200100		
	L	500	750	1000	1500	2000

Panelling = L - 3 mm

Raised base not available
 Self-standing base not available

H	code				Type M
3200	TM4.M75320				
2500	TM4.M75250				
2100	TM4.M37210	TM4.M50210	TM4.M75210	TM4.M100210	
1800	TM4.M37180	TM4.M50180	TM4.M75180		
1600	TM4.M37160	TM4.M50160			
	L	370	500	750	1000

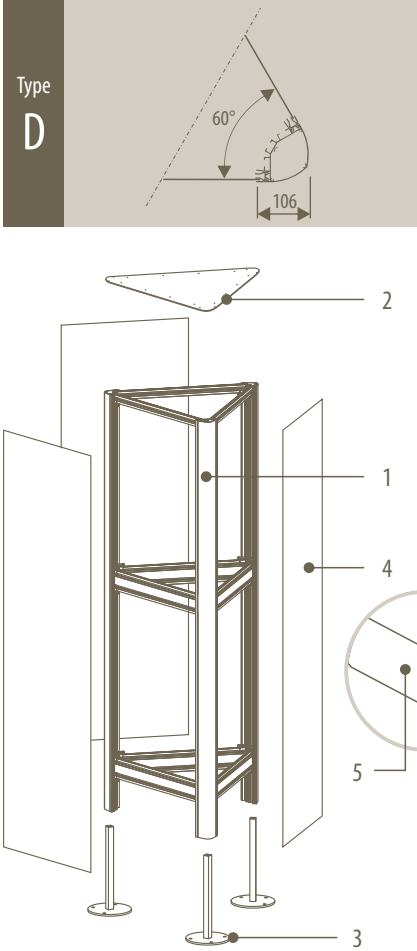
Panelling = L - 3 mm

H	code						Type S
2500			TM4.S50250	TM4.S60250			TM4.S84250
2100	TM4.S30210	TM4.S42210	TM4.S50210	TM4.S60210	TM4.S70210	TM4.S84210	
1800	TM4.S30180	TM4.S42180	TM4.S50180	TM4.S60180	TM4.S70180	TM4.S84180	
1600	TM4.S30160	TM4.S42160	TM4.S50160				
	L	UNI 30	UNI 42	poster 50	UNI 60	poster 70	UNI 84
	Panelling:	340	463	543	637	743	883



TOTEM TRIANGULAR

for outdoor



MATERIALS AND COLOURS

1_ uprights
in powder coated aluminium

2_ top cap in Dibond
(aluminium composite sheets) colour silver

+ 3_a flat base (+ a possible plate anchored to the ground)
in zinc steel

+ 3_b raised base (+ a possible plate anchored to the ground)
in powder coated zinc steel
- texturized anthracite
- texturized silver

3_c self-standing ballasted base
in powder coated zinc steel
- texturized anthracite
- texturized silver

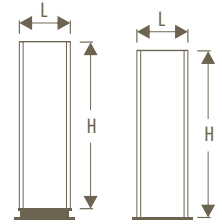
4_ panelling
- in aluminium
- in Dibond (aluminium composite sheets)
- in opaline plexiglas (for totem with lighting system)

5_ joining profile
in aluminium
For heights over 3 meters or in case of combination of different materials panels.

LIGHTING SYSTEM

Internal lighting system possible with low tension LED system.

DIMENSIONS AND CODES



H	code		
6400			TM4.D120640
5000	TM4.D90500		TM4.D120500
4300	TM4.D90430		TM4.D120430
3200		TM4.D90320	TM4.D120320
2500	TM4.D60250		TM4.D90250
2100	TM4.D60210		
L	776	1076	1376

Raised base not available
 Self-standing base not available

INSTALLATION



Flat or raised base to be fixed to the plinth in cement through expansion bolts.

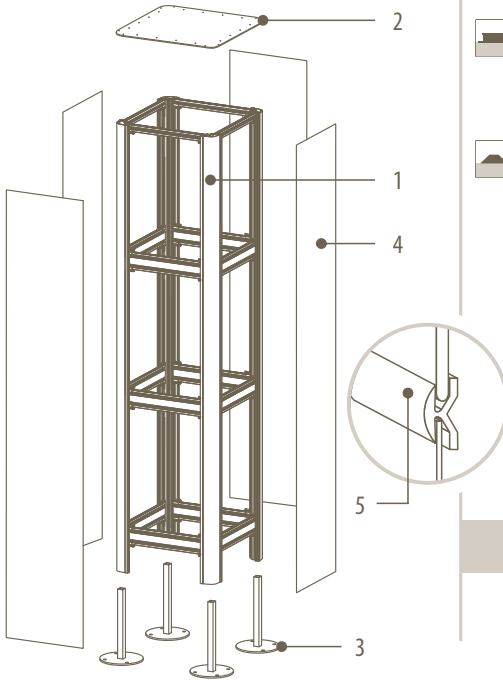
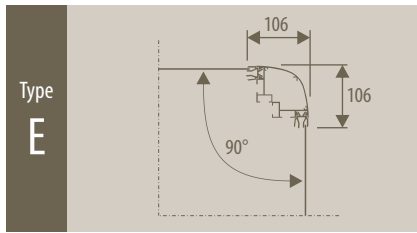


Flat or raised base to be fixed to the plate anchored to the ground.



Self-standing base.





MATERIALS AND COLOURS

1_ uprights
in powder coated aluminium

2_ top cap in Dibond
(aluminium composite sheets) colour silver

+ 3_a flat base (+ a possible plate anchored to the ground)
in zinc coated steel

+ 3_b raised base (+ a possible plate anchored to the ground)
in powder coated zinc steel
- texturized anthracite
- texturized silver

3_c self-standing ballasted base
in powder coated zinc steel
- texturized anthracite
- texturized silver

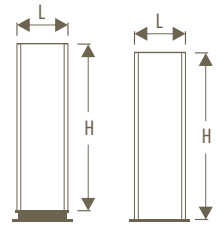
4_ panelling
- in aluminium
- in Dibond (aluminium composite sheets)
- in opaline plexiglas (for totem with lighting system)

5_ joining profile
in aluminium
For heights over 3 meters or in case of combination of different materials panels.

LIGHTING SYSTEM

Internal lighting system possible with low tension LED system.

DIMENSIONS AND CODES



H	code	
6400	TM4.E120640	
4300	TM4.E90430	TM4.E120430
3200	TM4.E90320	
2100	TM4.E60210	
L	776	1076 1376

Raised base not available
 Self-standing base not available

INSTALLATION

Flat or raised base to be fixed to the plinth in cement through expansion bolts.

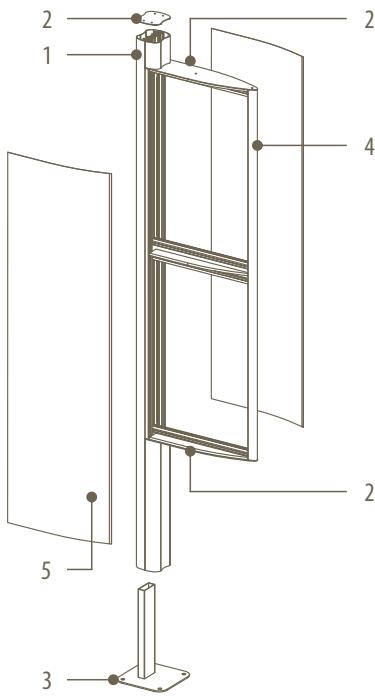
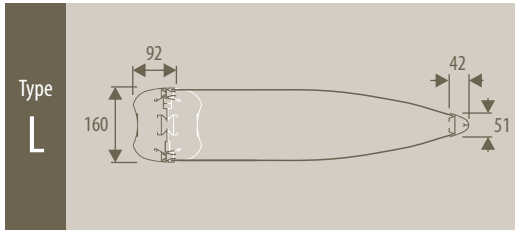
Flat or raised base to be fixed to the plate anchored to the ground.

Self-standing base.



TOTEM FLAG SYSTEM CONVEXES

for outdoor



MATERIALS AND COLOURS

- 1_ upright
in powder coated aluminium
- 2_ top caps
in aluminium
- 3_ base (+ a possible plate anchored
to the ground)
in zinc steel
- 4_ side profile
in powder coated aluminium
- 5_ panelling
in Dibond (aluminium composite
sheets)

INSTALLATION

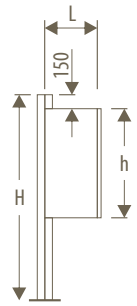


Flat base to be fixed to the plinth in cement through expansion bolts.



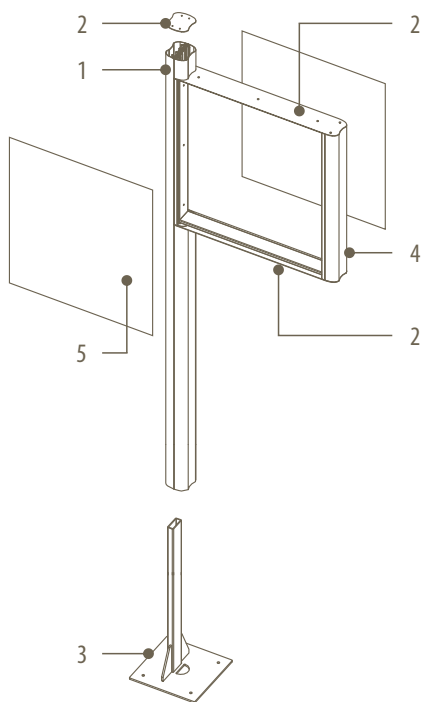
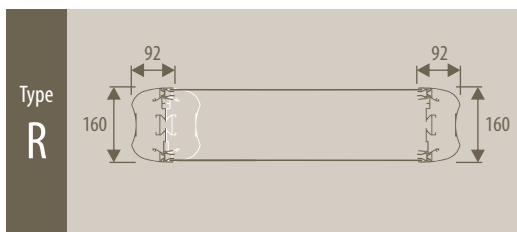
Flat base to be fixed to the plate anchored to the ground.

DIMENSIONS AND CODES



H	h	code	
5000	2500	TM4.L60250-500	TM4.L90250-500
	2000	TM4.L60200-500	TM4.L90200-500
	1500	TM4.L60150-500	TM4.L90150-500
4300	1000	TM4.L60100-500	TM4.L90100-500
	2500	TM4.L60250-430	TM4.L90250-430
	2000	TM4.L60200-430	TM4.L90200-430
3200	1500	TM4.L60150-430	TM4.L90150-430
	1000	TM4.L60100-430	TM4.L90100-430
	2500	TM4.L60250-320	TM4.L90250-320
2500	2000	TM4.L60200-320	TM4.L90200-320
	1500	TM4.L60150-320	TM4.L90150-320
	1000	TM4.L60100-320	TM4.L90100-320
2100	2000	TM4.L60200-250	TM4.L90200-250
	1500	TM4.L60150-250	TM4.L90150-250
	1000	TM4.L60100-250	TM4.L90100-250
L	600	TM4.L60150-210	TM4.L90150-210
	900	TM4.L60100-210	TM4.L90100-210





MATERIALS AND COLOURS

- 1_ upright
in powder coated aluminium
- 2_ top caps
in aluminium
- 3_ base (+ a possible plate anchored
in zinc steel to the ground)
- 4_ side profile
in powder coated aluminium
- 5_ panelling
- in Dibond (aluminium composite sheets)
- in opaline plexiglas
(for totem with lighting system)

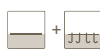
LIGHTING SYSTEM

Internal lighting system possible with low tension LED system.

INSTALLATION

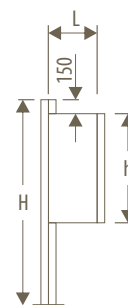


Flat base to be fixed to the plinth in cement through expansion bolts.



Flat base to be fixed to the plate anchored to the ground.

DIMENSIONS AND CODES

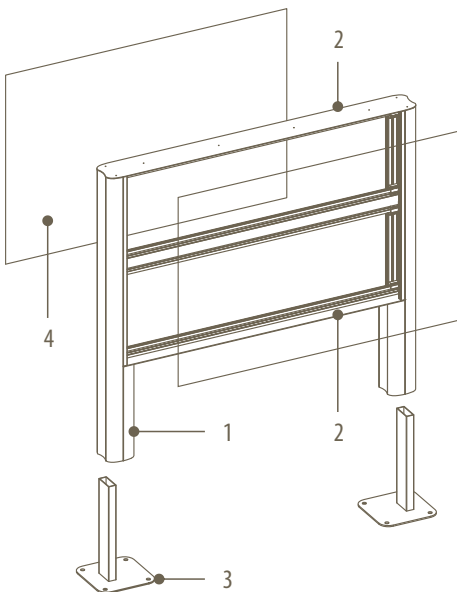
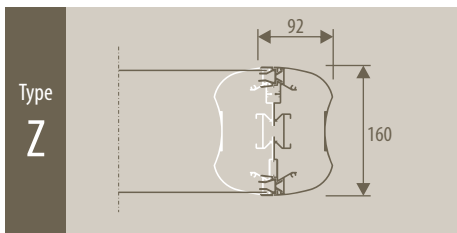


H	h	code	
5000	2000	TM4.R90200-500	
	1500	TM4.R90150-500	TM4.R120150-500
4300	1200	TM4.R90120-500	TM4.R120120-500
	900	TM4.R9090-500	TM4.R12090-500
	600		TM4.R12060-500
	2000	TM4.R90200-430	
3200	1500	TM4.R90150-430	TM4.R120150-430
	1200	TM4.R90120-430	TM4.R120120-430
	900	TM4.R9090-430	TM4.R12090-430
	600		TM4.R12060-430
2500	2000	TM4.R90200-320	
	1500	TM4.R90150-320	TM4.R120150-320
	1200	TM4.R90120-320	TM4.R120120-320
	900	TM4.R9090-320	TM4.R12090-320
2100	600		TM4.R12060-320
	2000	TM4.R90200-250	
	1500	TM4.R90150-250	TM4.R120150-250
	1200	TM4.R90120-250	TM4.R120120-250
	900	TM4.R9090-250	TM4.R12090-250
	600		TM4.R12060-250
	1500	TM4.R90150-210	TM4.R120150-210
	1200	TM4.R90120-210	TM4.R120120-210
	900	TM4.R9090-210	TM4.R12090-210
	600		TM4.R12060-210



TOTEM HORIZONTAL

for outdoor



MATERIALS AND COLOURS

- 1_ uprights
in powder coated aluminium
- 2_ top cap in Dibond
(aluminium composite sheets)
colour silver
- 3_ base
in zinc plated steel
- 4_ panelling
- in Dibond (aluminium
composite sheets)
- in opaline plexiglas
(for totem with lighting system)

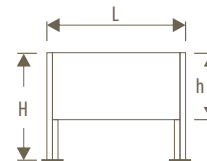
LIGHTING SYSTEM

Internal lighting system possible with low tension LED system.

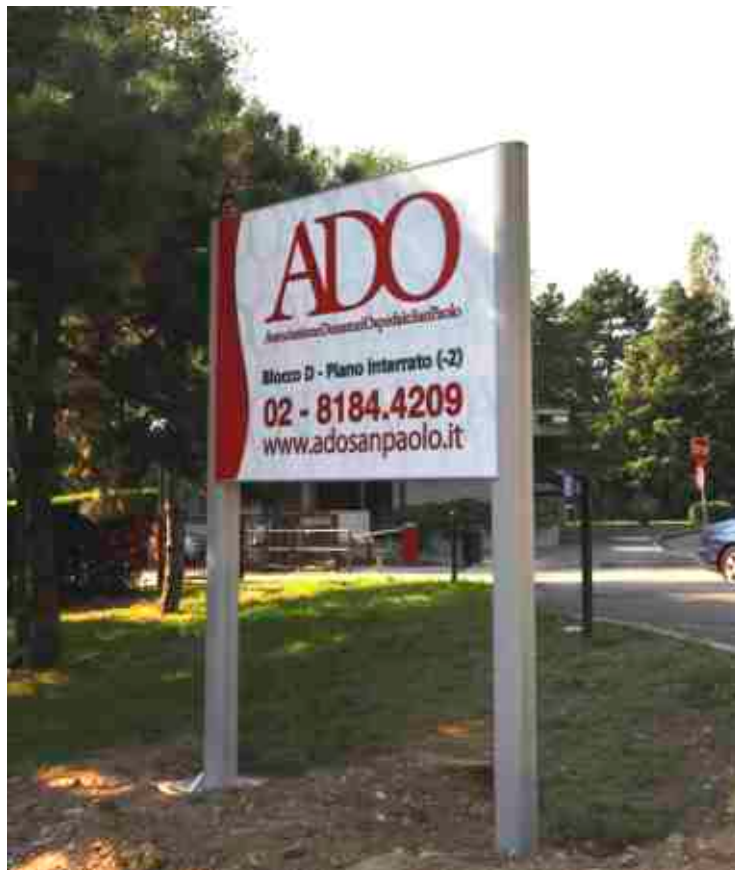
INSTALLATION

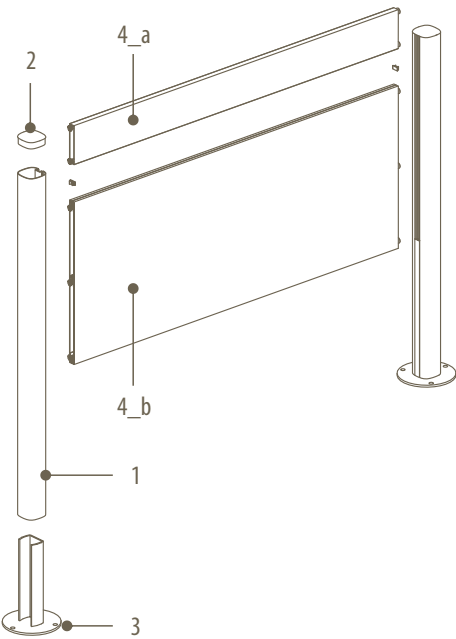
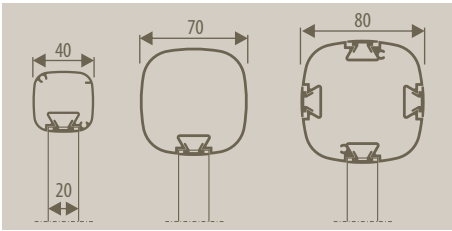
Flat base to be fixed to the plinth in cement through expansion bolts.

DIMENSIONS AND CODES



H	h	code			
1500				TM4.Z300150-320	
	1250		TM4.Z200125-320	TM4.Z300125-320	
3200	1000	TM4.Z150100-320	TM4.Z200100-320	TM4.Z300100-320	
	750	TM4.Z15075-320	TM4.Z20075-320	TM4.Z30075-320	
	500	TM4.Z15050-320			
1500				TM4.Z300150-250	
	1250		TM4.Z200125-250	TM4.Z300125-250	
2500	1000	TM4.Z150100-250	TM4.Z200100-250	TM4.Z300100-250	
	750	TM4.Z15075-250	TM4.Z20075-250	TM4.Z30075-250	
	500	TM4.Z15050-250			
1500				TM4.Z300150-210	
	1250		TM4.Z200125-210	TM4.Z300125-210	
2100	1000	TM4.Z150100-210	TM4.Z200100-210	TM4.Z300100-210	
	750	TM4.Z15075-210	TM4.Z20075-210	TM4.Z30075-210	
	500	TM4.Z15050-210			
1250				TM4.Z200125-150	
	1000	TM4.Z150100-150	TM4.Z200100-150	TM4.Z300100-150	
1500	750	TM4.Z15075-150	TM4.Z20075-150	TM4.Z30075-150	
	500	TM4.Z15050-150			
	1000	TM4.Z150100-125	TM4.Z200100-125	TM4.Z300100-125	
1250	750	TM4.Z15075-125	TM4.Z20075-125	TM4.Z30075-125	
	500	TM4.Z15050-125			
1050	750	TM4.Z15075-105	TM4.Z20075-105		
	500	TM4.Z15050-105	TM4.Z20050-105		
		L	1500	2000	3000





MATERIALS AND COLOURS

1_ uprights
in powder coated aluminium

2_ caps
in black nylon

3_ base
in zinc plated steel

4_a modular plates h 120 mm
in aluminium

4_b modular plates
h 150, 200, 300, 400, 500, 750, 1000 mm
in boxed Dibond (aluminium composite sheets)
with aluminium core.

LIGHTING SYSTEM

Internal lighting system
possible with low tension LED system.
Available one-sided and two-sided.

INSTALLATION

Flat base to be fixed to the plinth in cement through expansion bolts.

Clutch to be inserted into the plinth in cement.

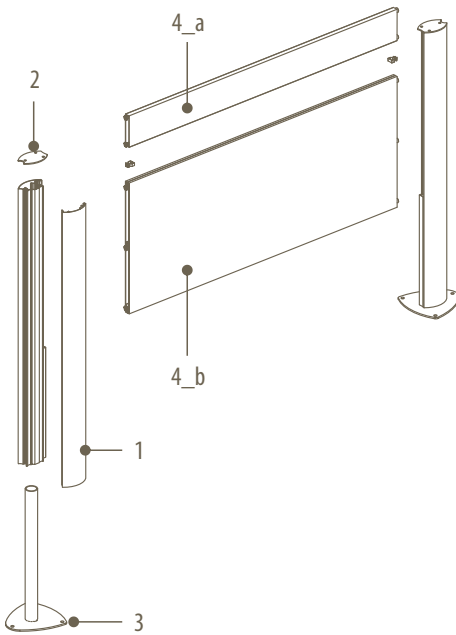
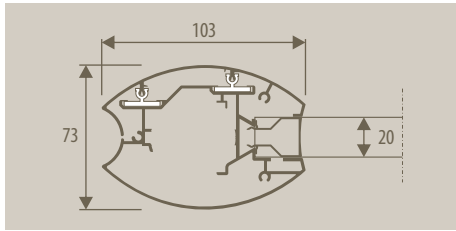
DIMENSIONS AND CODES

		code	
Complete couple of UPRIGHTS		40x40	PE4.40/2
	H = 400, 700, 1050, 1200, 1500, 1800, 2100, 2500		
		70x70	PE4.70/2
H = 1200, 1500, 1800, 2100			
Complete couple of UPRIGHTS		70x70	PE4.70IN/2
	Clutch to be inserted into the plinth		
Complete couple of UPRIGHTS		80x80	PE4.80/2
	With this upright it is possible to have plates turned orthogonally in 4 directions.		



		L = 700, 1050, 1200, 1500	h	code
modular PLATES			120	PE4.120
			150	PE4.DB15
			200	PE4.DB20
			300	PE4.DB30
			400	PE4.DB40
			500	PE4.DB50
			750	PE4.DB75
			1000	PE4.DB100

		L = 700, 1050, 1200, 1500	code
LIGHTING SYSTEM profile			PE4.140M (one-sided version)
			PE4.140B (two-sided version)



MATERIALS AND COLOURS

1_ uprights
in anodized aluminium

2_ caps
in anodized aluminium

3_ base
in zinc steel

4_a modular panels h 120 mm
in aluminium

4_b modular panels
h 150, 200, 300, 400, 500, 750, 1000 mm
in boxed Dibond (aluminium composites sheets)
with aluminium core.

LIGHTING SYSTEM

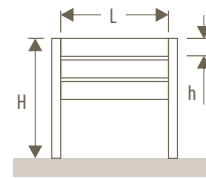
Internal lighting system
possible with low tension LED system.
Available one-sided and two-sided.

INSTALLATION

Flat base to be fixed to the
plinth in cement
through expansion bolts.

Clutch to be insert into the plinth in
cement.

DIMENSIONS AND CODES

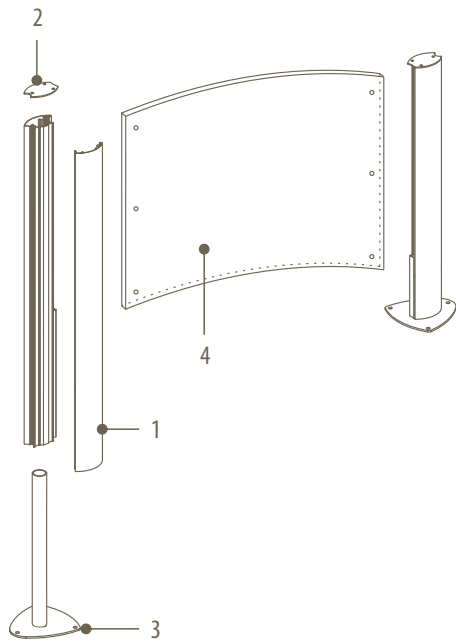
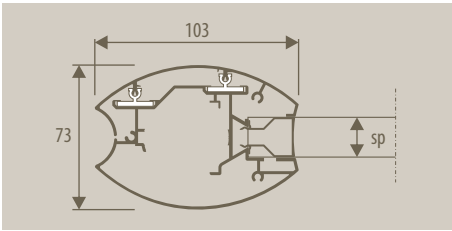


	H = 1200, 1500, 1800, 2100	code
Complete couples of UPRIGHTS	H	PE4.94/2
	H	PE4.94IN/2 Clutch to be insert into the plinth

	L = 700, 1050, 1200, 1500	h	code
modular PLATES	L, h	120	PE4.120
	L, h	150, 200, 300, 400, 500, 750, 1000	PE4.DB15 PE4.DB20 PE4.DB30 PE4.DB40 PE4.DB50 PE4.DB75 PE4.DB100

	L = 700, 1050, 1200, 1500	code
LIGHTING SYSTEM profile	L, 75	PE4.160M (one-sided version)
	L, 160	PE4.160B (two-sided version)







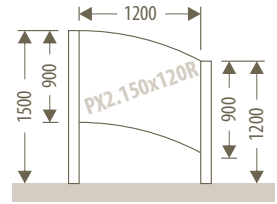
MATERIALS AND COLOURS

- 1_ uprights
in anodized aluminium
- 2_ caps
in anodized aluminium
- 3_ base
in zinc steel
- 4_a panel th. 15 mm
in transparent plexiglass
- 4_b panel th. 20 mm
in aluminium

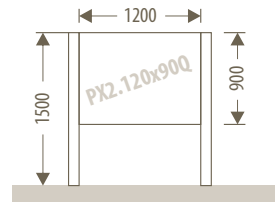
INSTALLATION

-  Flat base to be fixed to the plinth in cement through expansion bolts.
-  Clutch to be insert into the plinth in cement.

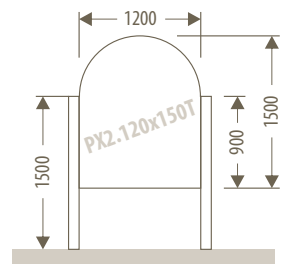
DIMENSIONS AND CODES



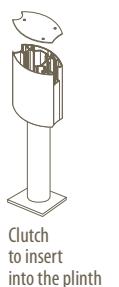
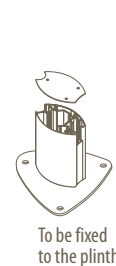
Panel	Base	code
Plexiglas	to be fixed	AQ4.D120150
	to insert	AQ4.D120150/IN
Aluminium	to be fixed	AQ4.DB-D120150
	to insert	AQ4.DB-D120150/IN



Panel	Base	code
Plexiglas	to be fixed	AQ4.D120150-90Q
	to insert	AQ4.D120150-90Q/IN

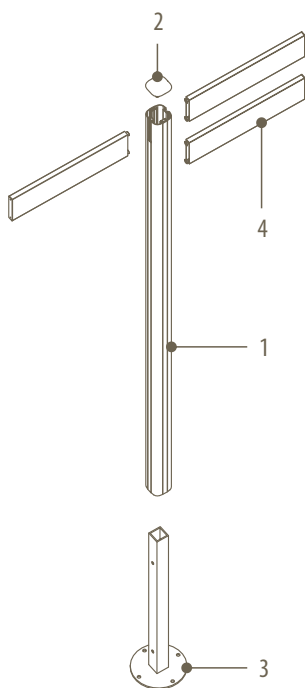
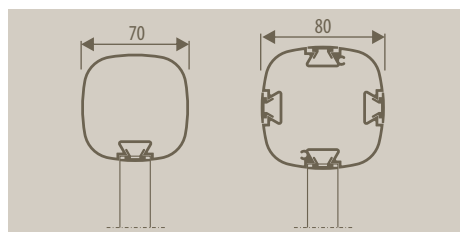


Panel	Base	code
Plexiglas	to be fixed	AQ4.D120150-150T
	to insert	AQ4.D120150-150T/IN
Aluminium	to be fixed	AQ4.DB-D120150-150T
	to insert	AQ4.DB-D120150-150T/IN



DRIVE SINGLE POST 70 - 80

for outdoor



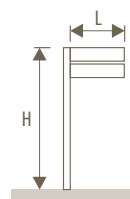
MATERIALS AND COLOURS

- 1_ upright
in powder coated aluminium
- 2_ cap
in black nylon
- 3_ base
in zinc steel
- 4_ modular plates h 120 mm
in aluminium

INSTALLATION

- Flat base to be fixed to the plinth in cement through expansion bolts.
- Clutch to be insert into the plinth in cement.

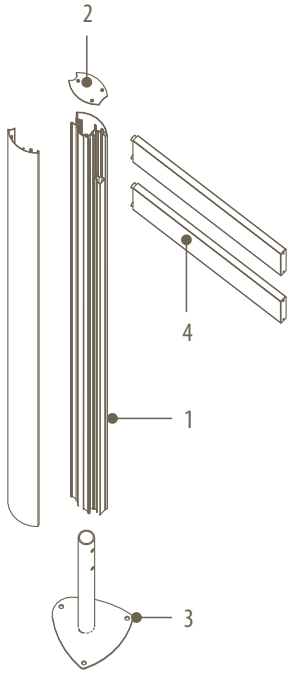
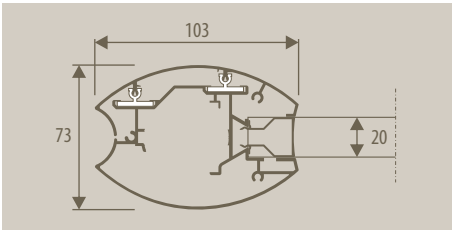
DIMENSIONS AND CODES



H = 1200, 1500, 1800, 2100	code
	PE4.70/1
single complete UPRIGHT 	PE4.70IN/1 Clutch to insert into the plinth
	With this upright it is possible to have plates turned orthogonally in 4 directions. PE4.80/1

L = 500, 700	h	code
modular PLATES 	120	PE4.120/1







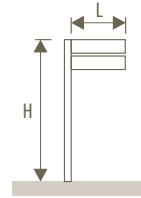
MATERIALS AND COLOURS

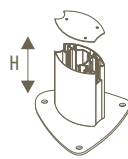
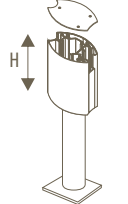
- 1_ upright
in anodized aluminium
- 2_ caps
in anodized aluminium
- 3_ base
in zinc steel
- 4_ modular plates h 120 mm
in aluminium

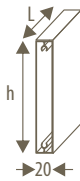
INSTALLATION

-  Flat base to be fixed to the plinth in cement through expansion bolts.
-  Clutch to be insert into the plinth in cement.

DIMENSIONS AND CODES

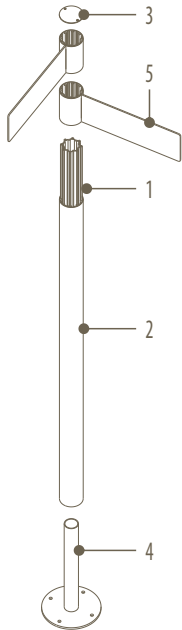
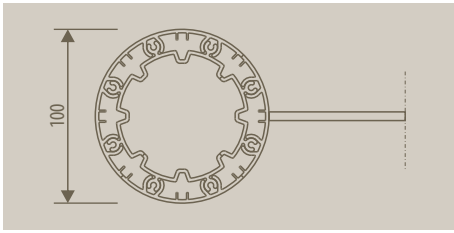


	H = 1200, 1500, 1800, 2100	code
single complete UPRIGHT		PE4.94/1
		PE4.94IN/1 Clutch to insert into the plinth

	L = 500, 700	h	code
modular PLATES		120	PE4.120/1

DRIVE SINGLE POST 100

for outdoor



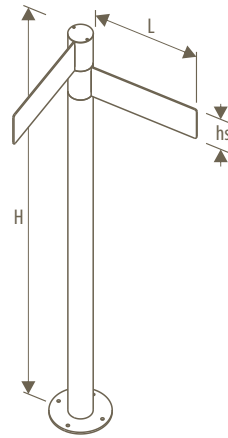
MATERIALS AND COLOURS

- 1_ internal upright (not in sight) in aluminium
- 2_ external cover of the upright in powder coated aluminium
- 3_ end cap in powder coated aluminium
- 4_ zined steel base
- 5_ Flag system sign complete of clutch in powder coated aluminium

INSTALLATION

- Flat base to be fixed to the plinth in cement through expansion bolts.
- Clutch to be insert into the plinth in cement.

DIMENSIONS AND CODES

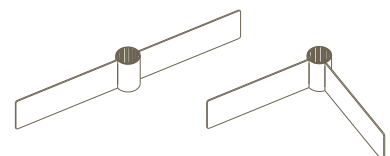


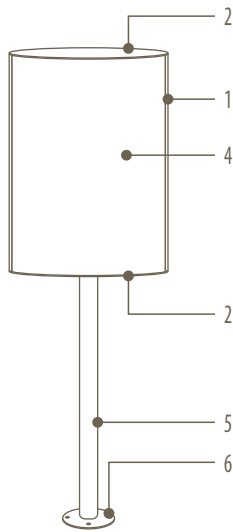
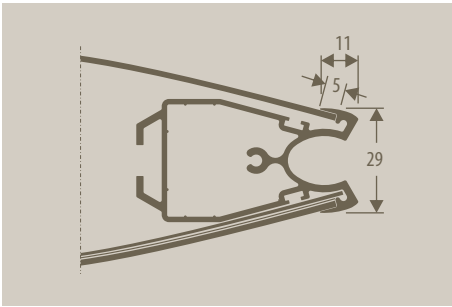
H = 2100, 2500, 3200 mm		h riv = H - hs
UPRIGHT single complete	<p>PE4.100/1</p>	<p>PE1.100 External cover of the upright</p>
	<p>PE4.100IN/1 Clutch to insert in the plinth</p>	

L = 480, 650, 900 mm		hs = 160, 240, 320 mm
SIGN complete with coupling	<p>PE4.101</p>	
	<p>A</p>	
	<p>B</p>	
	<p>C</p>	

PERSONALIZATION

- It is possible:
- to personalize sign dimensions
 - to personalize sign shape
 - to have more signs on the same coupling

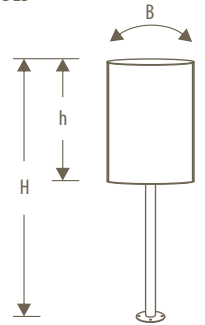




MATERIALS AND COLOURS

- 1_ profil
in powder coated anodized aluminium
- 2_ end caps
in anodized aluminium
- 3_ ribs (not in sight)
in PVC structural foam (Forex)
- 4_ aluminium panelling
- 5_ upright 80 x 80 mm
in powder coated anodized aluminium
- 6_ zinc steel base

DIMENSIONS AND CODES



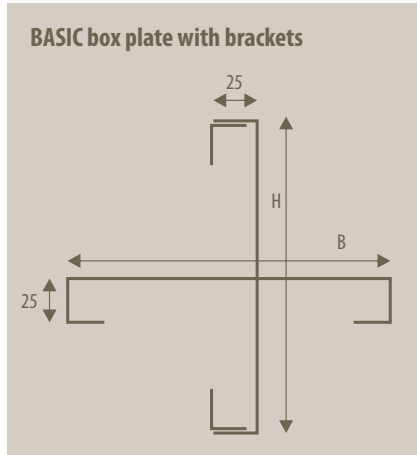
H	h	code	
2000	1188	□ A0 WD4.E90120	
1800	840	□ A1	□ WD4.E6090 WD4.E9090
1700	594	□ WD4.E6060	
		B	594 840

Dimensions refer to the panelling.

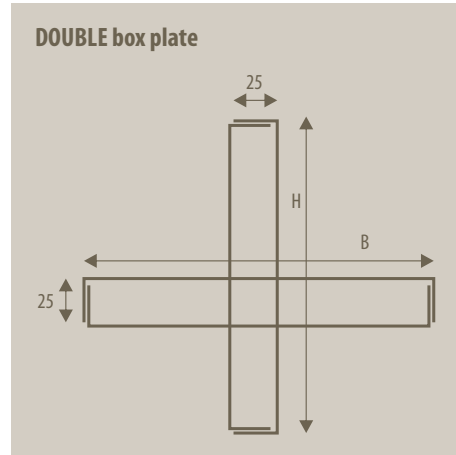
INSTALLATION

Flat base
to be fixed to the plinth in cement
through expansion bolts.

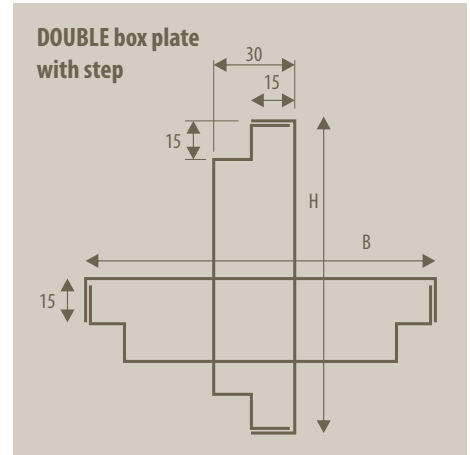




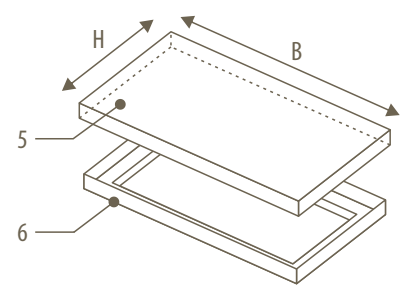
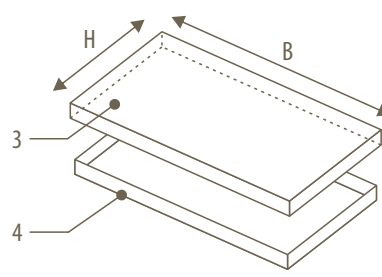
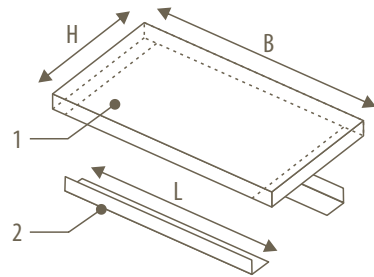
Code: **PS4.S**



Code: **PS4.D**



Code: **PS4.G**



MATERIALS AND COLOURS

1_ upper element
in powder coated 20/10 Dibond (aluminium composite sheets)

2_ brackets (disappearing section)
in 12/10 milled aluminium

MATERIALS AND COLOURS

3_ upper element
in powder coated 20/10 Dibond (aluminium composite sheets)

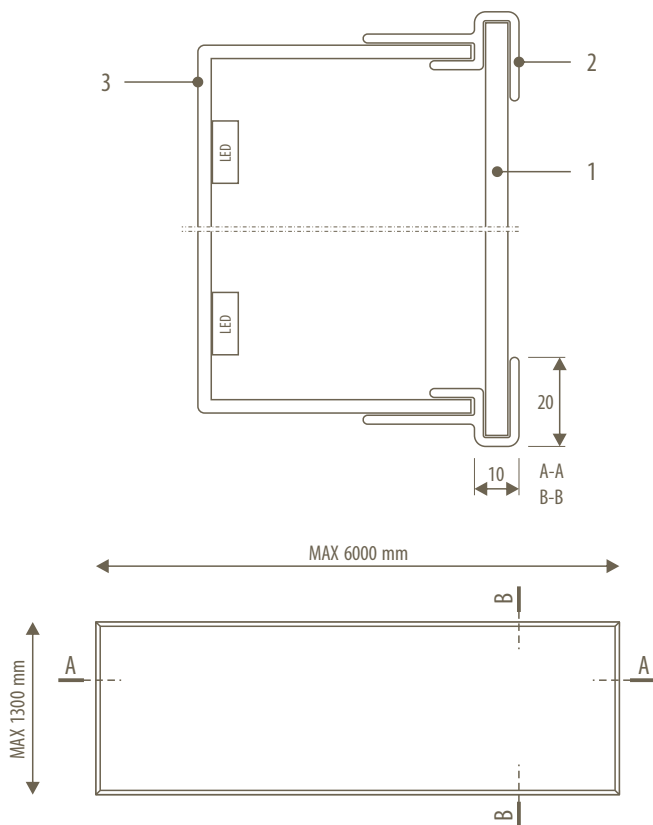
4_ lower element
in powder coated 20/10 Dibond (aluminium composite sheets)

MATERIALS AND COLOURS

5_ upper element
in powder coated 20/10 Dibond (aluminium composite sheets)

6_ lower element
in powder coated 20/10 Dibond (aluminium composite sheets)





MATERIALS AND COLOURS

1_ front panelling
in opaline plexiglas

2_ frame
in anodized aluminium

3_ lower box
in 30/10 silver Dibond
(aluminium composite sheets)

LIGHTING SYSTEM

Internal lighting system possible with
low tension LED system.

INSTALLATION

To fix to the wall through
expansion bolts.

